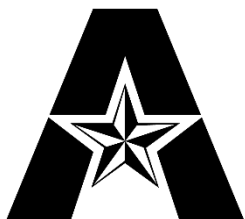


UT ARLINGTON  
**FABLAB**

# **Janome 8002D Sergger**



UNIVERSITY OF  
**TEXAS**  
ARLINGTON

**Revision Date:** January 19, 2020



## Table of Contents

IMPORTANT SAFETY INSTRUCTIONS .....	4
Adjust Foot Pressure.....	5
Adjust Stitch Length .....	5
Adjust Differential Feed Ratio.....	5
Adjusting the Upper Knife.....	6
Deactivate Upper Knife.....	6
Activate Upper Knife .....	6
Adjusting the Cutting Width .....	7
Threading .....	8
Threading Guide.....	8
Lower Loper.....	9
Beginning Loper Threading.....	9
Under Loper .....	10
Upper Loper.....	11
Beginning Loper Threadin.....	11
Under Loper Cove.....	12
Right Needle.....	13
Left Needle .....	14
Thread Tension Adjustment .....	15
Needle Thread – too loose .....	16
Upper Loper Thread – too loose.....	16
Looper Thread – out of balance.....	16
Test Stitching .....	17
Sewing.....	17
Starting Sewing.....	17
Finishing Sewing.....	17
Securing Ends .....	17

## IMPORTANT SAFETY INSTRUCTIONS

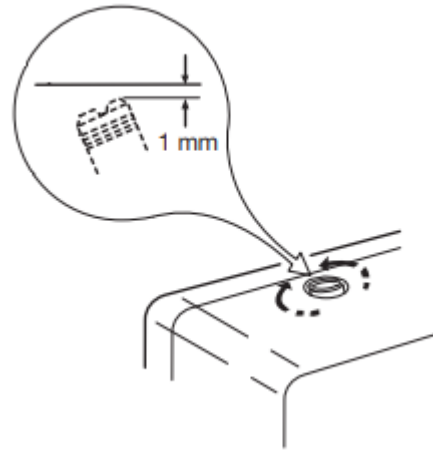
- To disconnect, turn all controls to the off (“ 0 ”) position, then remove plug from outlet.
- Do not unplug by pulling on cord. To unplug, grasp the plug, not the cord.
- Keep fingers away from all moving parts. Special care is required around the sewing machine needle and knives.
- Do not use bent needles.
- Switch the sewing machine off (“ 0 ”) when making any adjustment in the needle area, such as threading needle, changing needle, threading loopers, or changing presser foot, and the like.
- An appliance should never be left unattended when plugged in. Always unplug this appliance from the electrical outlet immediately after using and before cleaning.
- Do not reach for the appliance that has fallen into water. Unplug immediately.
- Do not place or store appliance where it can fall or be pulled into a tub or sink. Do not place in or drop into water or other liquid.
- Do not use the machine as a toy. Close attention is necessary when this appliance is near children.
- Use only attachments recommended by the manufacturer as contained in this manual.
- Never operate the appliance with any air opening blocked. Keep ventilation openings of the sewing machine and foot controller free from accumulation of lint, dust, and loose cloth.
- Never drop or insert any object into any opening.
- Do not operate where aerosol (spray) products are being used or where oxygen is being administered.

## Adjust Foot Pressure

Only adjust the foot pressure when sewing with heavyweight or lightweight fabric.

- Turn the adjusting screw **CLOCKWISE** for **HEAVY** fabric.
- Turn the adjusting screw **COUNTERCLOCKWISE** for **LIGHT** fabric.

For normal fabric, set the adjusting screw so that it sits 1mm below the top of the machine.



## Adjust Stitch Length

To adjust the spacing between stitches, turn the top dial of the machine's right side.

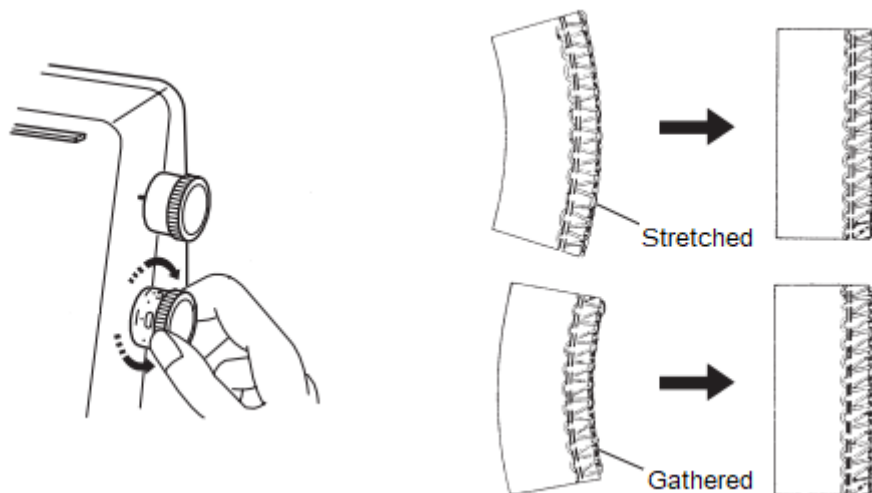
The larger the number, the longer the spacing.  
The stitch length can be adjusted 1mm-4mm.  
Position "R" is for rolled and narrow hemmings.



## Adjust Differential Feed Ratio

When sewing a seam onto fabric that has been stretched out or gathered together, adjust the differential feed ratio so that your seam can be straight. The bottom dial to the machine's right side will adjust the differential feed ratio.

- Neutral sewing is at position 1.0.
- If the fabric is stretched, turn the dial counterclockwise (toward 2.2).
- If the fabric is gathered, turn the dial clockwise (toward 0.5).

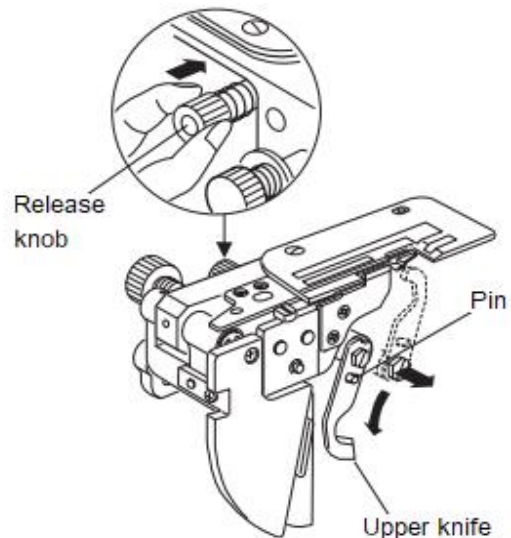


## Adjusting the Upper Knife

Before adjusting the upper knife, turn off the power switch and unplug the machine for your safety.

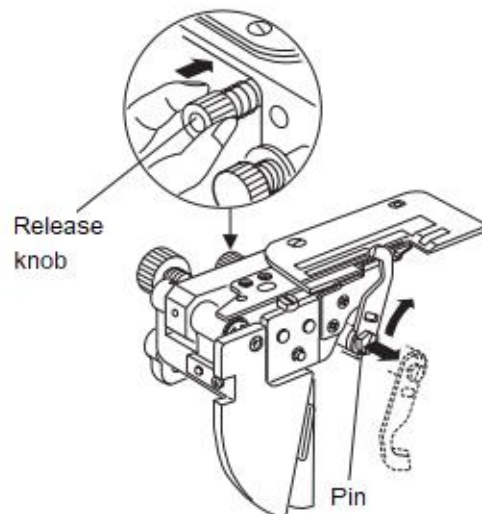
### Deactivate Upper Knife

1. Open the looper cover and side cover.
2. Push the upper knife release knob to the right (towards the center of the machine).
3. While pushing, turn the knob clockwise. The upper knife will move towards you.
4. Guide the hole in the upper knife to the pin. This will lock the upper knife in the down position.
5. When done, close the looper cover and side cover.



### Activate Upper Knife

1. Open the looper cover and side cover.
2. Push the upper knife release knob to the right (towards the center of the machine).
3. While pushing, turn the knob counterclockwise. The upper knife will move to away from you.
4. Guide the groove on the upper knife to the pin. This will lock the upper knife in the up position.
5. When done, close the looper cover and side cover.

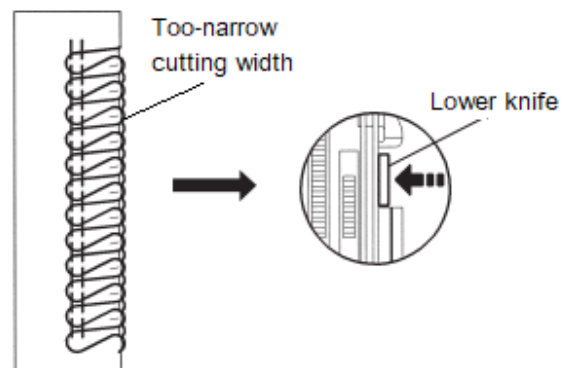
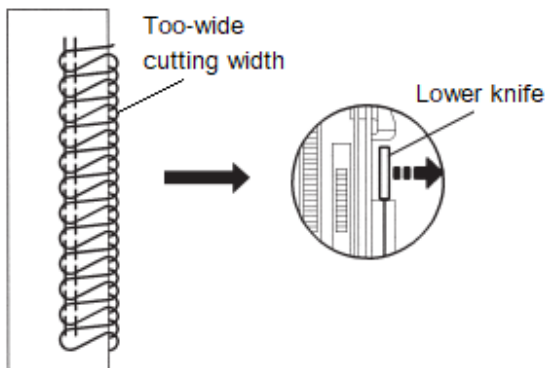
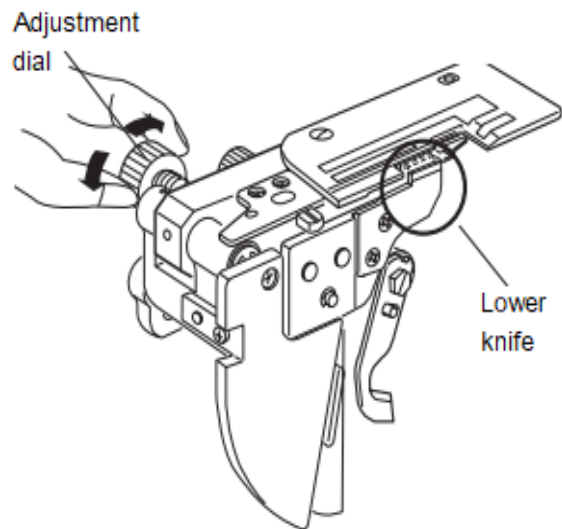


## Adjusting the Cutting Width

Adjust the cutting width when the cutting is too narrow or too wide from the seam.

Before adjusting the cutting width, turn off the power switch and unplug the machine for your safety.

1. Open the looper cover and side cover.
2. Set the upper knife to the down position (see “Deactivate Upper Knife”)
3. Turn the adjusting dial of the cutting width to get the desired position of the lower knife.
4. \* When cutting width is too NARROW, turn dial CLOCKWISE. The lower knife will move right.  
\* When cutting width is too WIDE, turn dial COUNTERCLOCKWISE. The lower knife will move left.



5. When done adjusting, set the upper knife to the up position (see “Activate Upper Knife”)
6. Close the looper cover and side cover.

## Threading

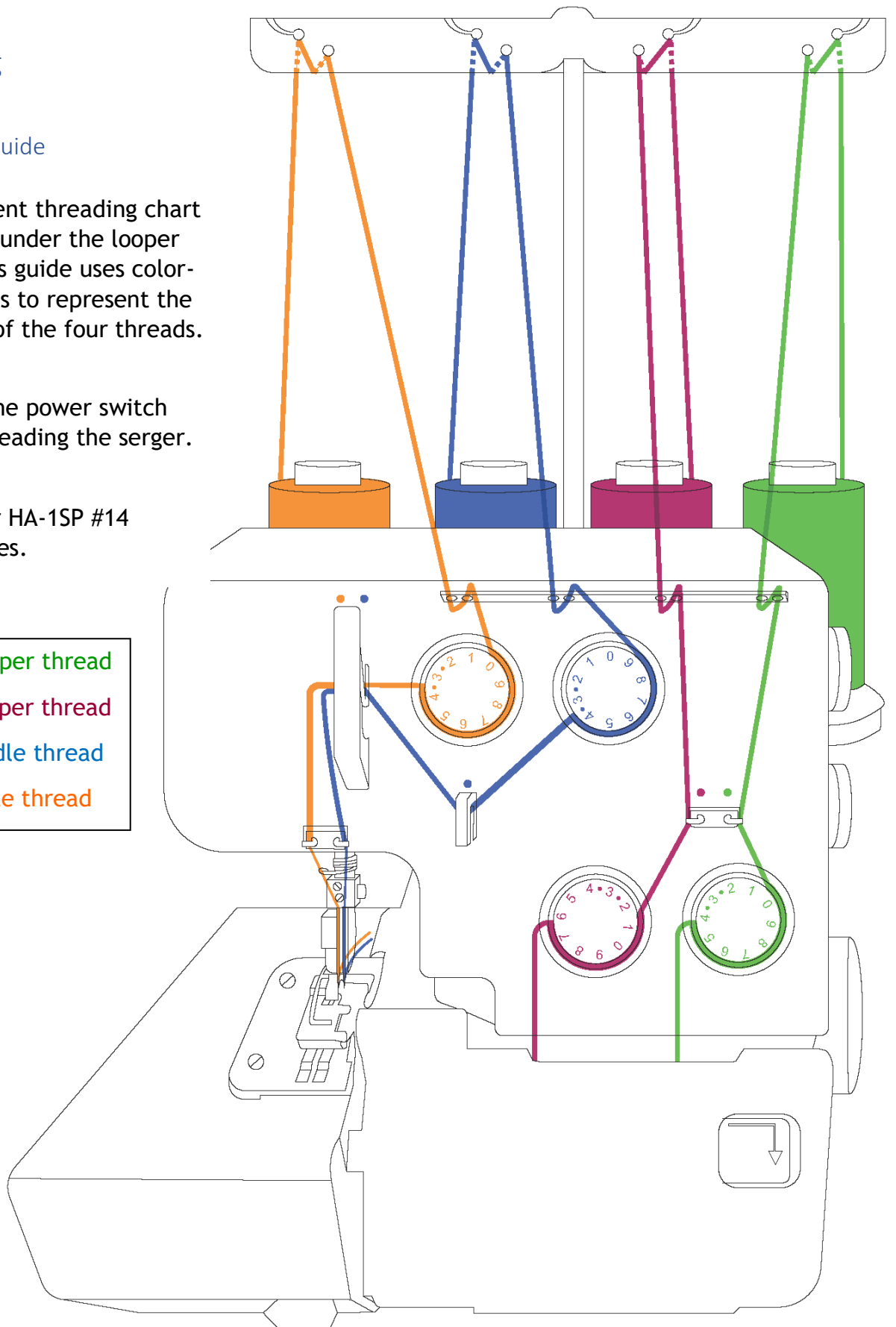
### Threading Guide

A convenient threading chart is located under the looper cover. This guide uses color-coded lines to represent the direction of the four threads.

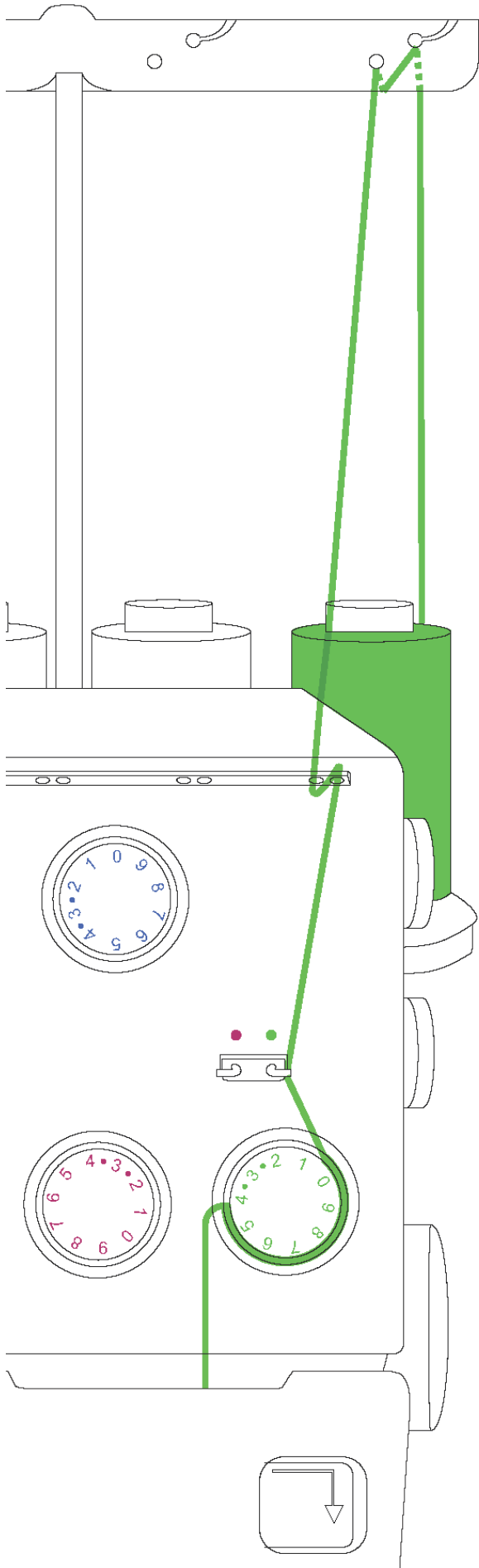
Turn off the power switch before threading the serger.

Use #11 or HA-1SP #14 needle sizes.

- Lower Looper thread
- Upper Looper thread
- Right Needle thread
- Left Needle thread







## Lower Looter

### Beginning Looter Threading

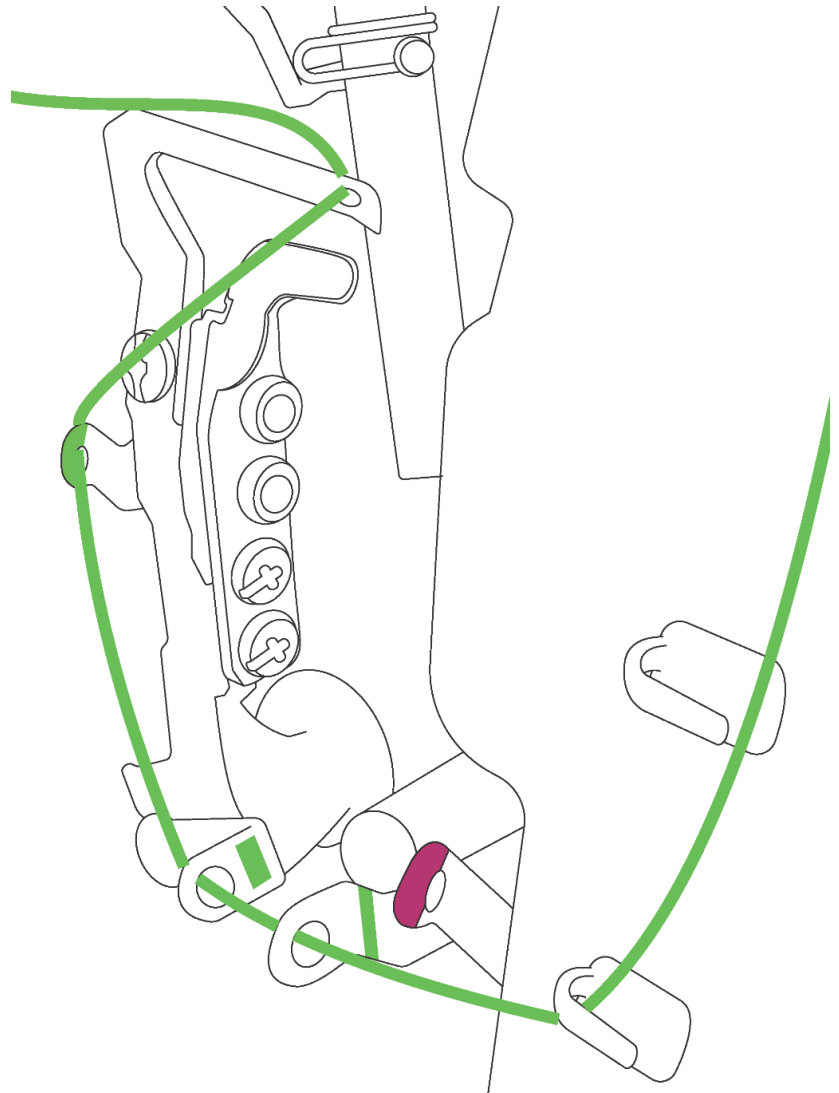
1. Pull the Lower Looter thread from its corresponding spool in the very right.
2. Draw the thread up through the back of the thread guide's rightmost groove (shown in A).
3. Pass the thread through the rightmost holes in the thread guide plate.
4. Pass the thread through the looper thread guide. Slide the thread from left to right to secure it inside the looper thread guide.
5. Insert the thread behind the lower looper tension dial (green), then loop the thread underneath the disc.
6. Pass the thread through the lower looper thread guide.

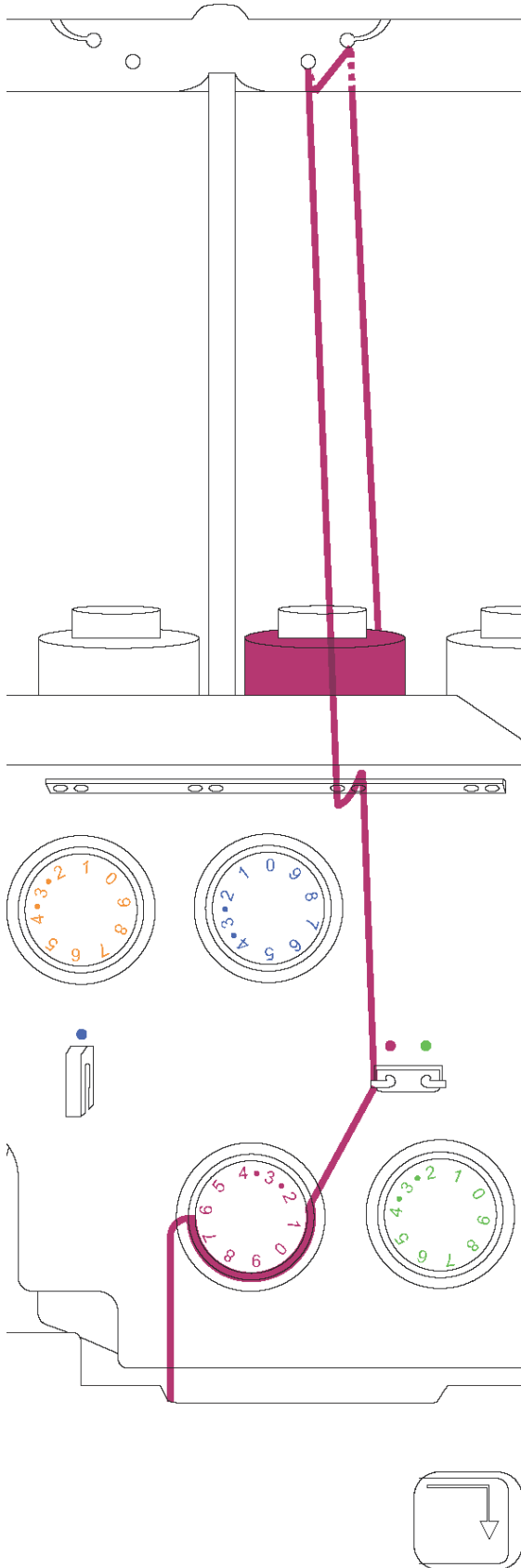
## Under Looper

To open the looper cover, slide the cover to the right. The underneath of the cover has a picture of the thread guide to remind you the direction of the thread.

The thread guides under the cover are color-coded, so if you get lost among the many mechanical parts, try to find any green indicators.

1. Pass the thread through the rightmost thread guide
2. From the thread guide, pass the thread through the take-up lever.
3. Go through the remaining guides.
4. Turn the handwheel (counterclockwise) towards you until the lower looper comes to its leftmost position.
5. Pass the thread through the hole in the thread guide. Use tweezers if necessary.
6. Pull the thread out at least 4 inches from the left side of the machine.





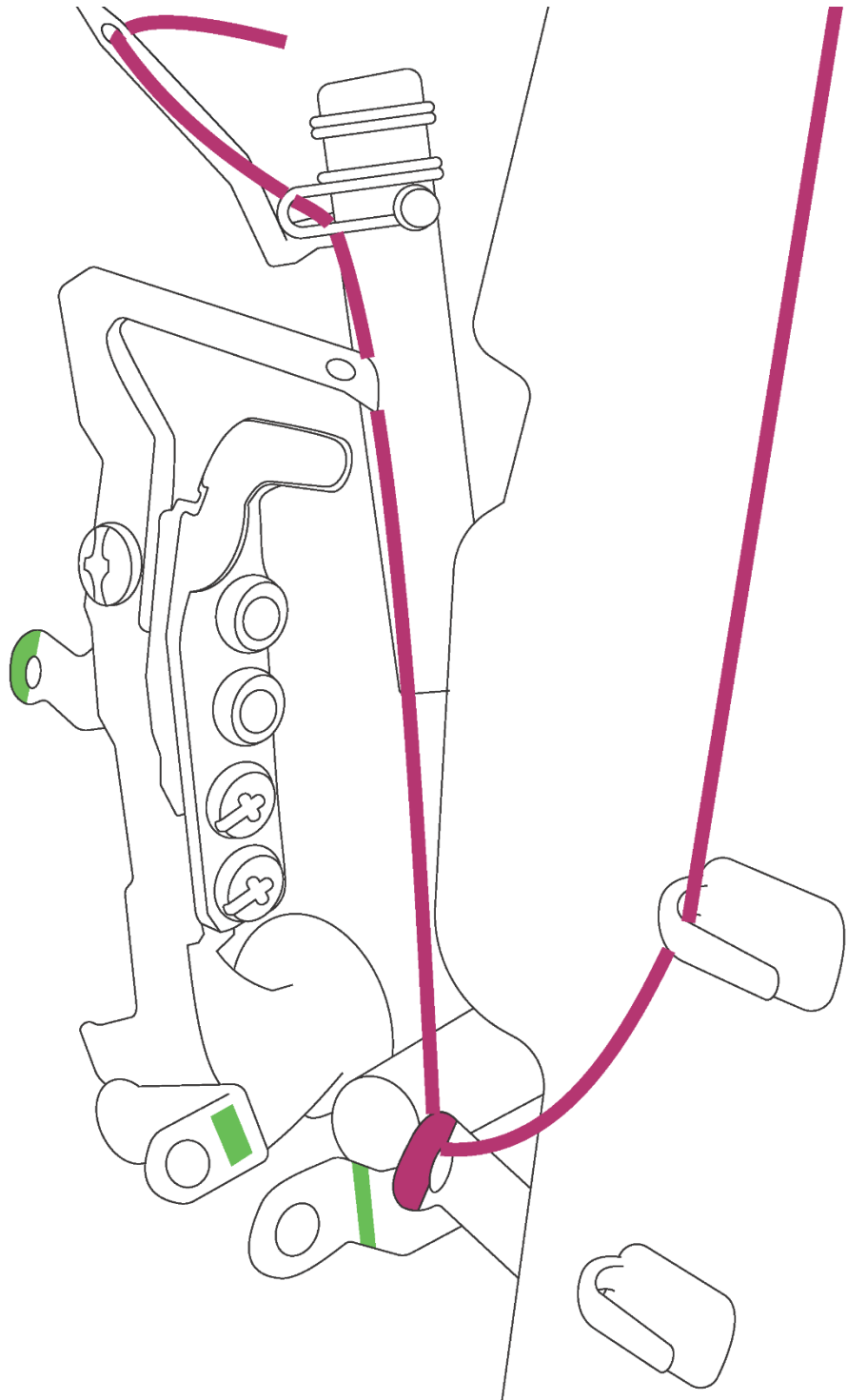
## Upper Looper

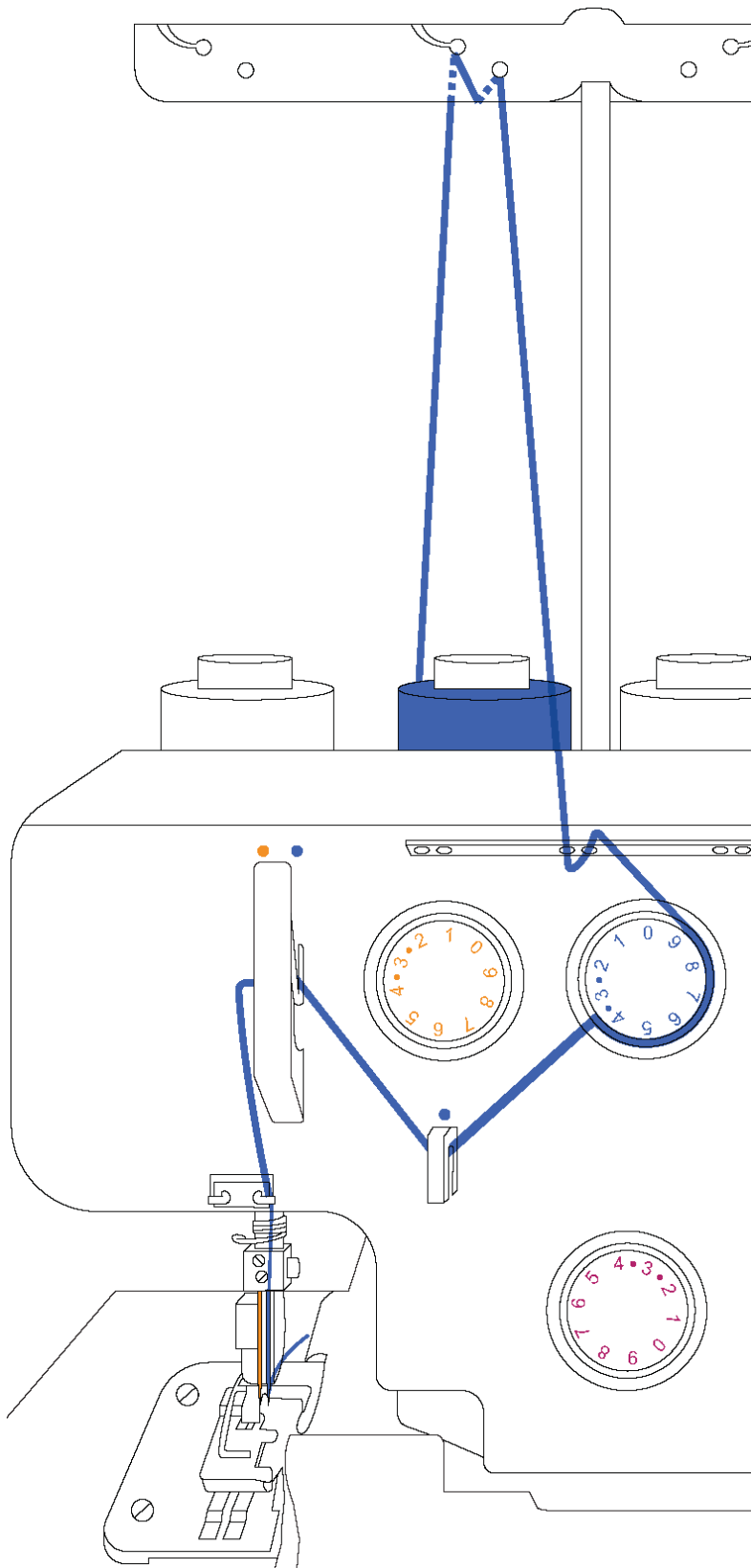
### Beginning Looper Threadin

1. Pull the Upper Looper thread from its corresponding spool (second to the right).
2. Draw the thread up through the back of the thread guide's groove (second to the right) (shown in A).
3. Pass the thread through the holes that are second to the right in the thread guide plate.
4. Pass the thread through the looper thread guide. Slide the thread from left to right to secure it inside the looper thread guide.
5. Insert the thread between the upper looper tension dial (purple), then loop the thread underneath the disc.
6. Pass the thread through the upper looper thread guide.

Under Looper Cove

1. Pass the thread through the rightmost thread guide.
2. Pass the thread through upper looper take-up lever.
3. Pass the thread through upper looper thread guide.
4. Holding the end of the thread with a pair of tweezers, pass it through the hole on the upper looper.
5. Pull the thread out at least 4 inches away from the left side of the machine.





## Right Needle

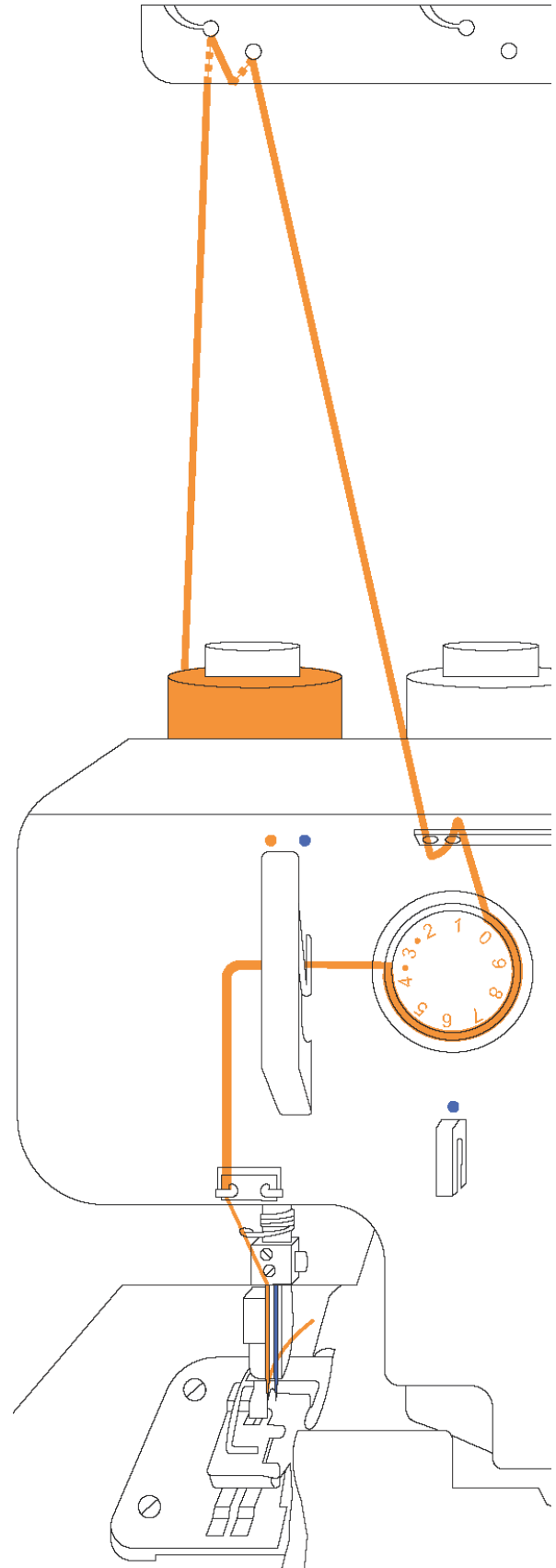
\*Use #11 or HA-1SP #14 needle sizes.

1. Pull the Upper Loper thread from its corresponding spool (second to the left).
2. Draw the thread up through the back of the thread guide's groove (second to the left).
3. Pass the thread through the holes that are second to the left in the thread guide plate.
4. Insert the thread between the right needle tension dial (blue). Then pull both sides of thread.
5. Turn the handwheel toward you to bring the needle bar to its highest position, then pass the thread through the right needle thread guide and the thread take-up lever cover.
6. Pass the thread through the needle thread guide sliding the thread from left to right.
7. Pass the thread through the eye of the right needle
8. Pull the thread about 4 inches from the eye of the needle to the back.

## Left Needle

Use #11 or HA-1SP #14 needle sizes.

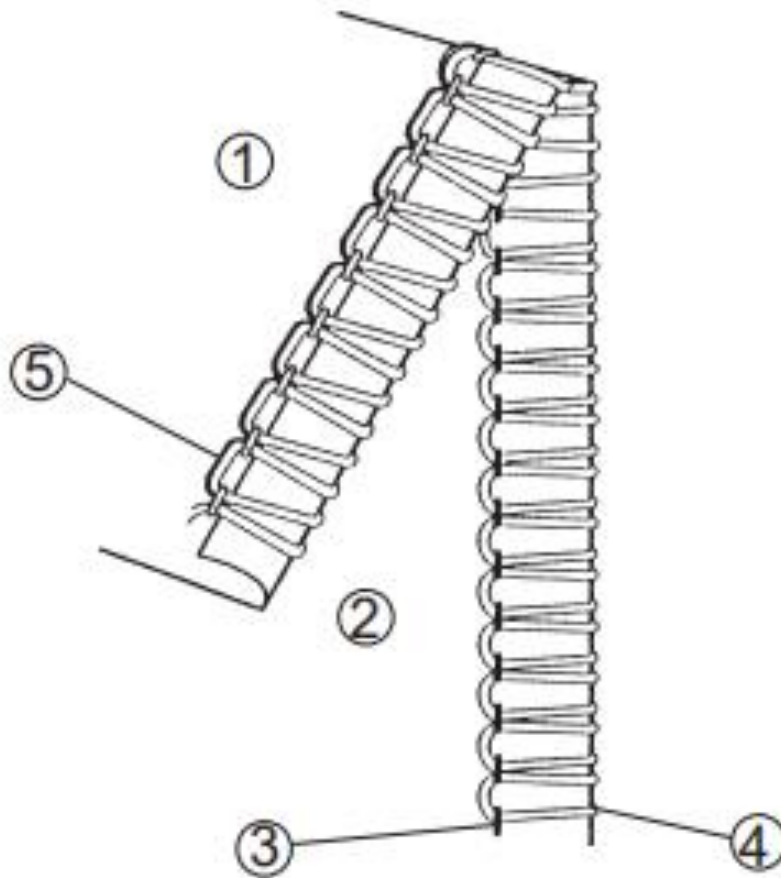
1. Pull the left needle thread from its corresponding spool in the very left.
2. Draw the thread up through the back of the thread guide's leftmost groove.
3. Pass the thread through the leftmost holes in the thread guide plate.
4. Insert the thread between the left needle tension dial (orange). Then pull both sides of the thread.
5. Turn the handwheel toward you to bring the needle bar to its highest position, then pass the thread through the thread take-up lever cover.
6. Pass the thread through the needle thread guide sliding the the thread from right to left.
7. Pass the thread through the eye of the left needle.
8. Pull the thread about 4 inches from the eye of the needle to the back.



## Thread Tension Adjustment

If the thread tension is faulty, you can adjust it using the dials in the front of the machine.

All tension dials should be set at 3 as a default setting. Test out your thread tension by sewing on test fabric and adjusting if necessary.

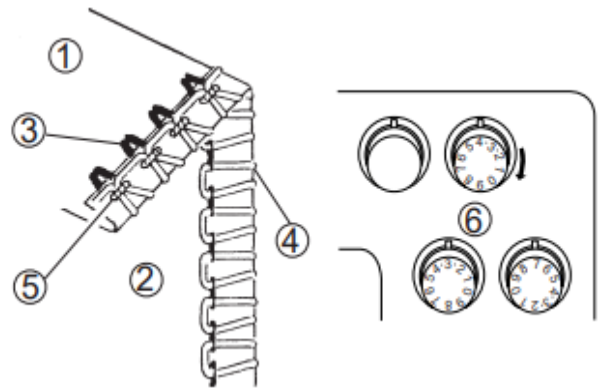


1. Wrong side of fabric
2. Right side of fabric
3. Right needle upper thread
4. Upper looper thread
5. Lower looper thread

### Needle Thread – too loose

The illustration shows when the needle thread tension is too loose.

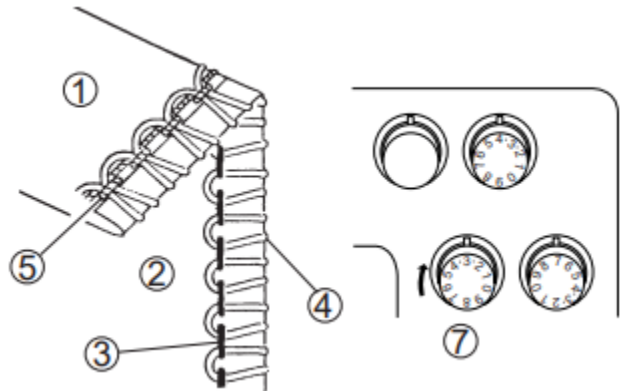
The adjustment dial of the needle thread is in the top right (6).



### Upper Looper Thread – too loose

The illustration shows when the upper looper thread tension is too loose.

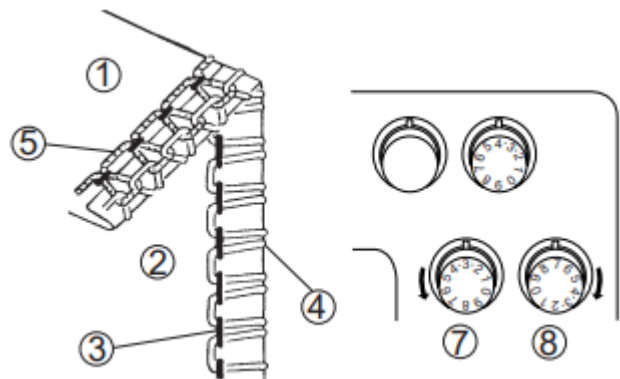
The adjustment dial of the upper looper thread is in the bottom left (7).



### Looper Thread – out of balance

The illustration shows sewing results when the tension of the upper looper thread is too tight and/or lower looper is too loose.

The adjustment dials of the two looper threads are the bottom dials (7 & 8).





## Test Stitching

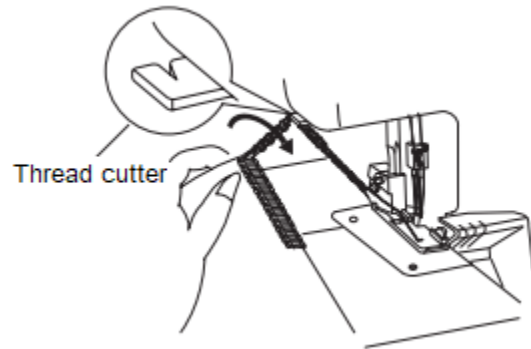
### Sewing

#### Starting Sewing

1. Insert the fabric under the toe of the foot (it is not necessary to raise the presser foot unless you are using heavy fabric).
2. Turn the handwheel gently towards you a couple of turns and check the thread chain.
3. Start sewing slowly while guiding the fabric' direction. The feed dogs will move the fabric.

#### Finishing Sewing

1. When satisfied with your sewing, continue to sew slowly to produce a thread chain for about 5in while pulling the thread chain back slightly.
2. Cut the threads with the thread cutter as illustrated, leaving about 2in of the thread chain from the end of the fabric.



#### Securing Ends

The easiest ways to secure the ends of your finished thread chain are to...

1. Separate the ends and tie them together.
2. Cut the end of the chain and use seam sealant on the end of the threads.

