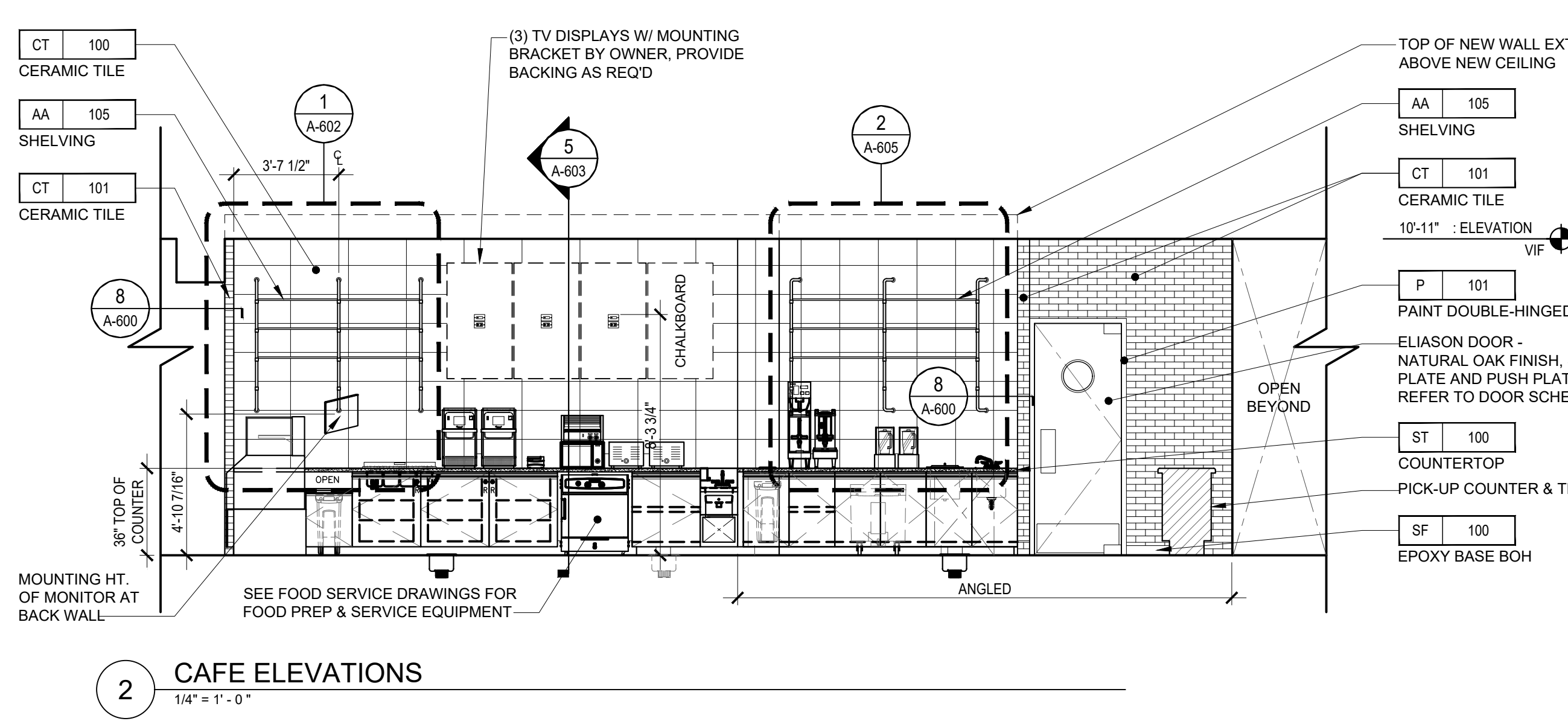
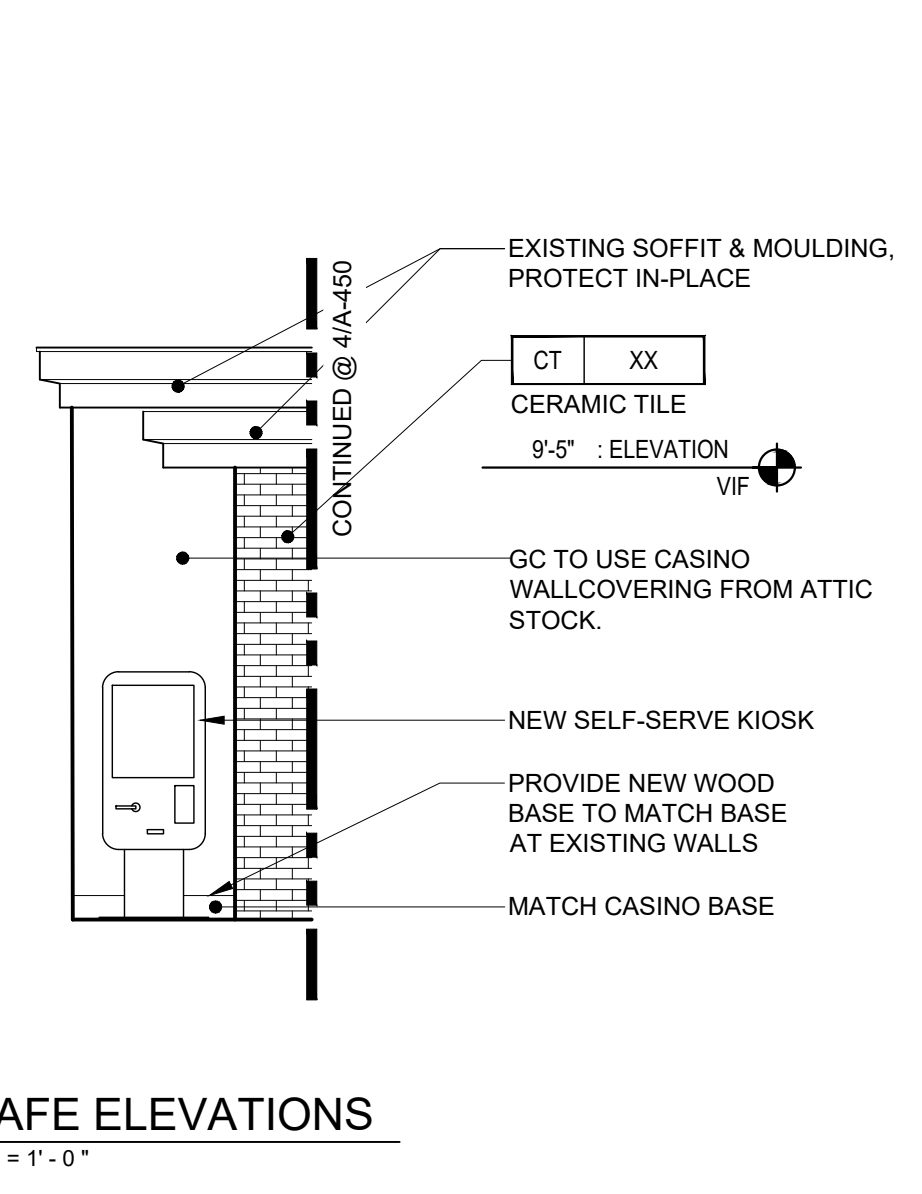


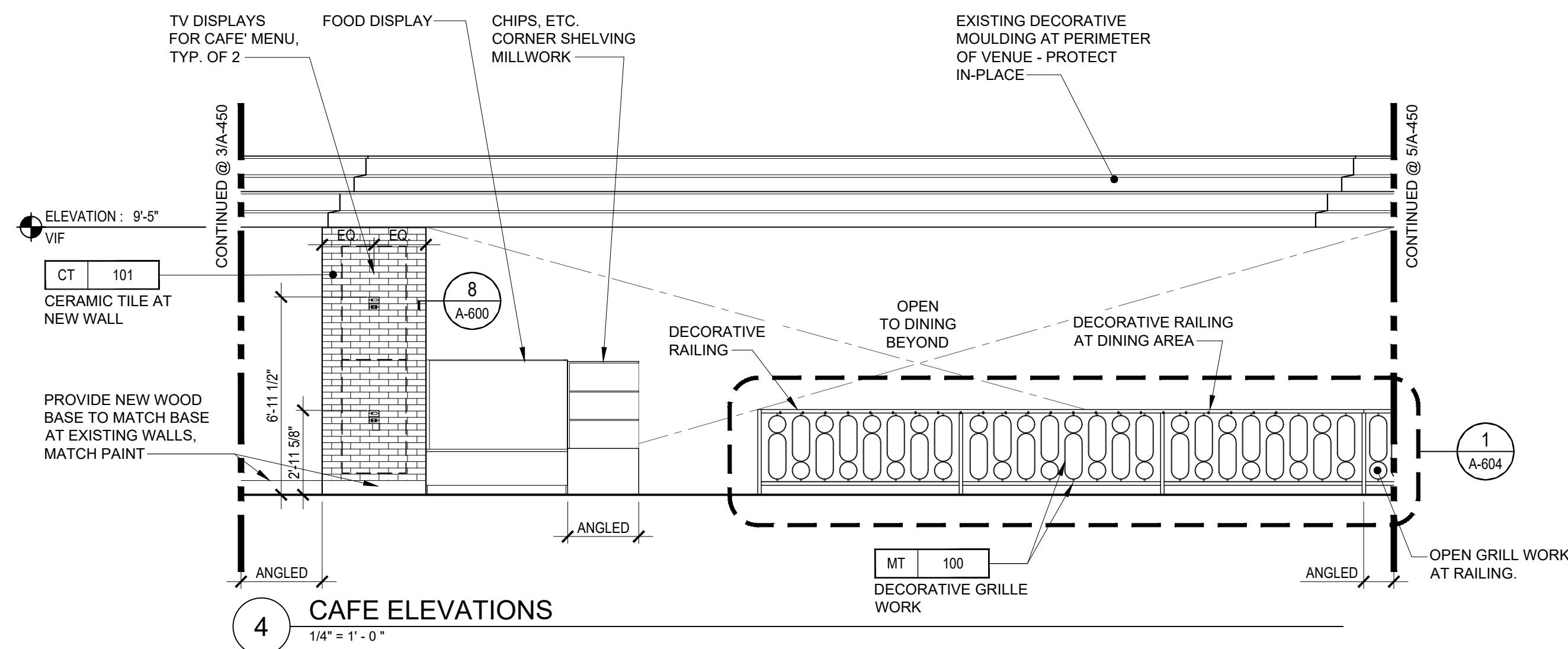
1 CAFE ELEVATIONS
1/4" = 1'-0"



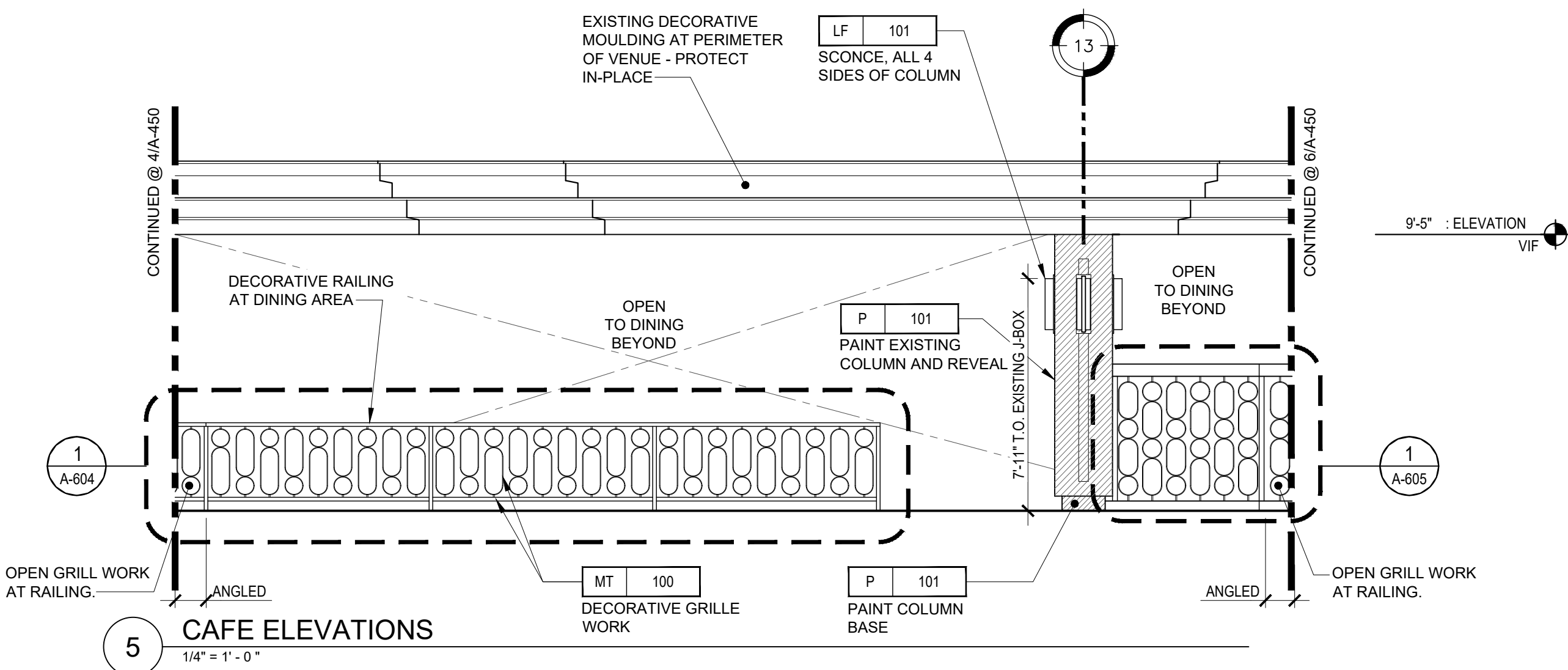
2 CAFE ELEVATIONS
1/4" = 1'-0"



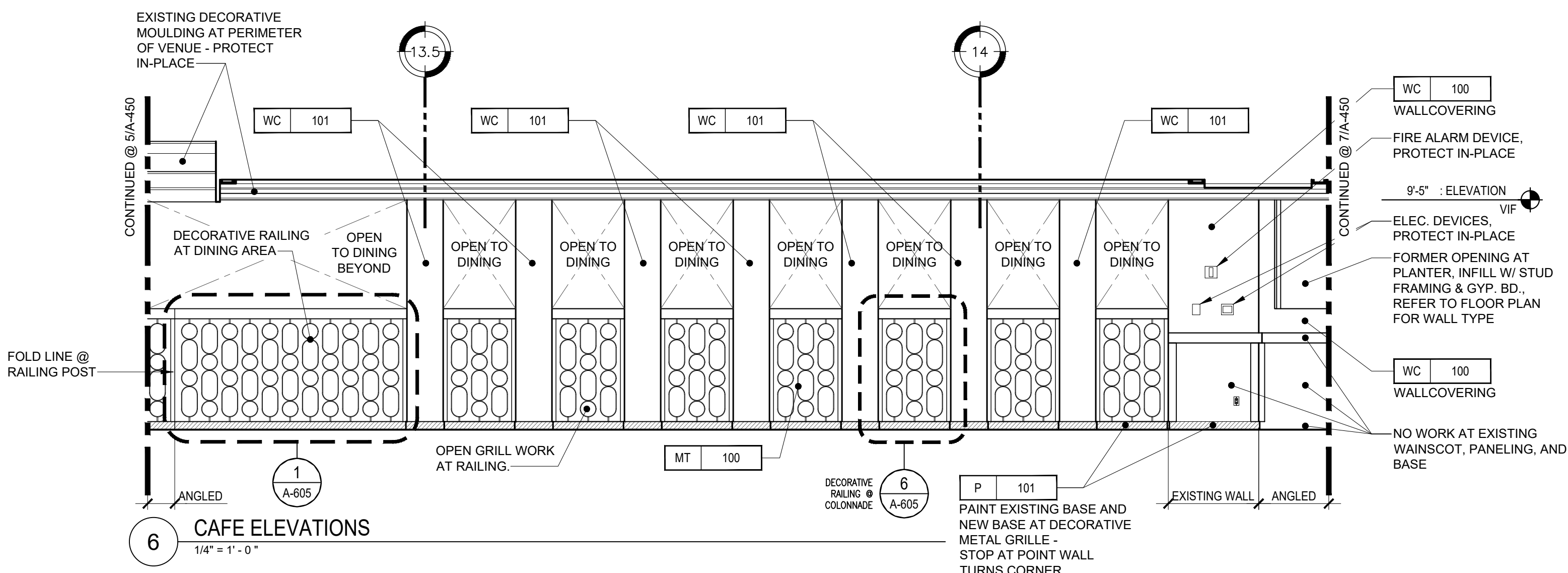
3 CAFE ELEVATIONS
1/4" = 1'-0"



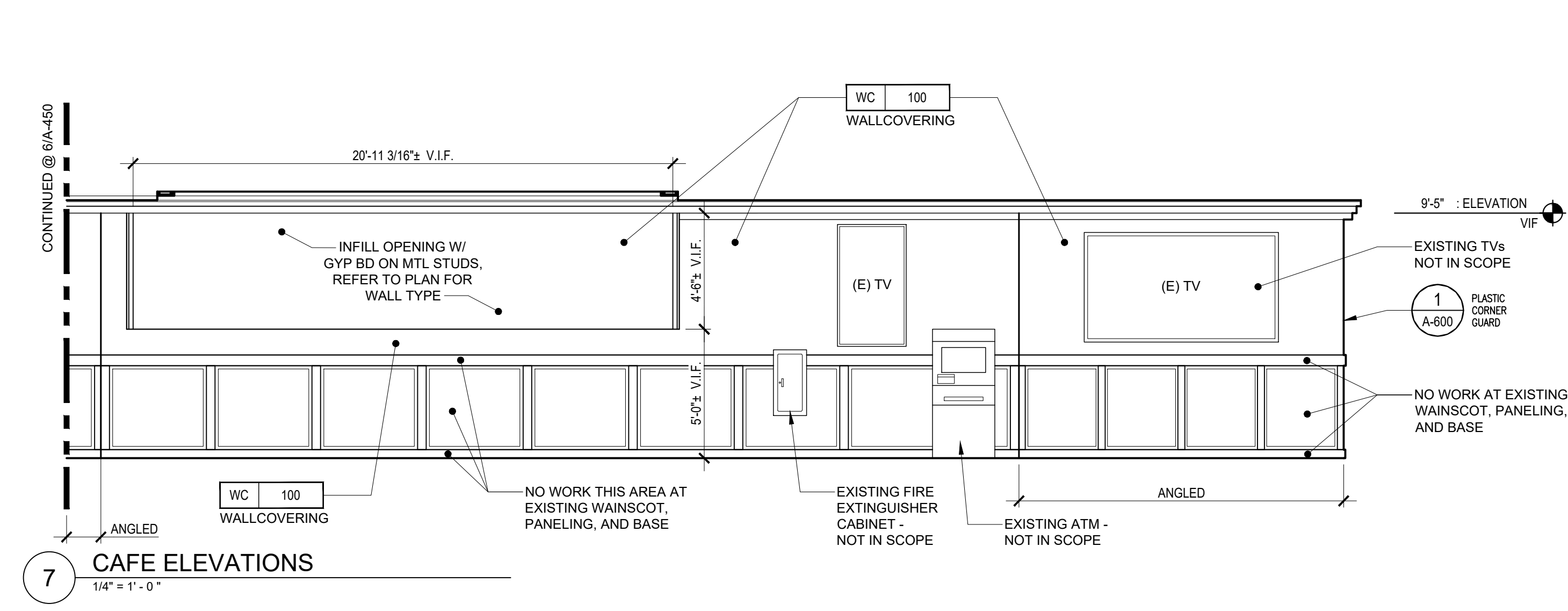
4 CAFE ELEVATIONS
1/4" = 1'-0"



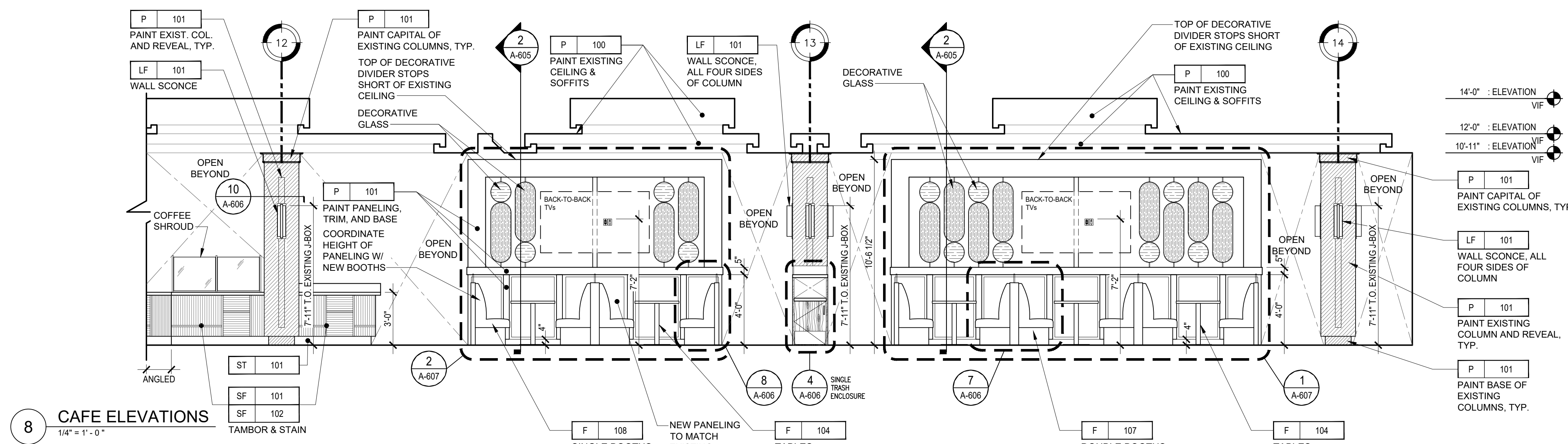
5 CAFE ELEVATIONS
1/4" = 1'-0"



6 CAFE ELEVATIONS
1/4" = 1'-0"



7 CAFE ELEVATIONS
1/4" = 1'-0"



8 CAFE ELEVATIONS
1/4" = 1'-0"

ARCHITECT :
RDH
ARCHITECTURE + INTERIOR DESIGN

1616 Corporate Blvd, Suite 100
Dubuque, IA 52002
Phone: 562-2422
Fax: 562-2423
www.rdh-ia.com

SEAL:
06-27-2025

CONSULTANT:

OWNER :

Boyd Gaming

DIAMOND JO CASINO
DUBUQUE, IA

PROJECT: DIAMOND JO DUBUQUE, IOWA
BUFFET CONVERSION TO A CAFE

REVISIONS :

NO.	DATE	ISSUE

DRAWING TITLE :

REFURBISH INTERIOR ELEVATIONS

RDH Project No. 1633

Consultant Project No. 0000.00

Date: --

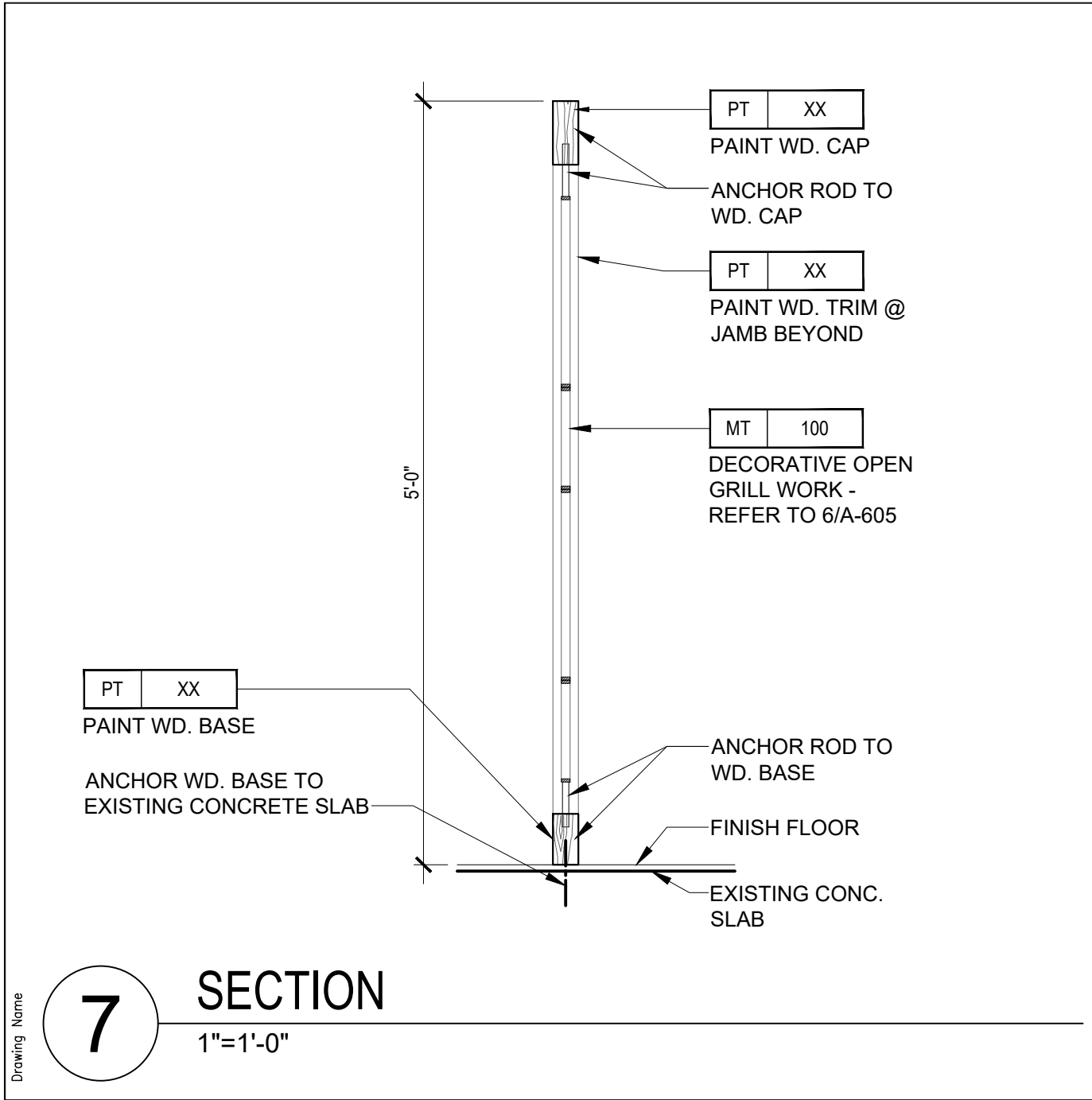
Drawn By DD Checked By DD Approved By RDH

File Name:

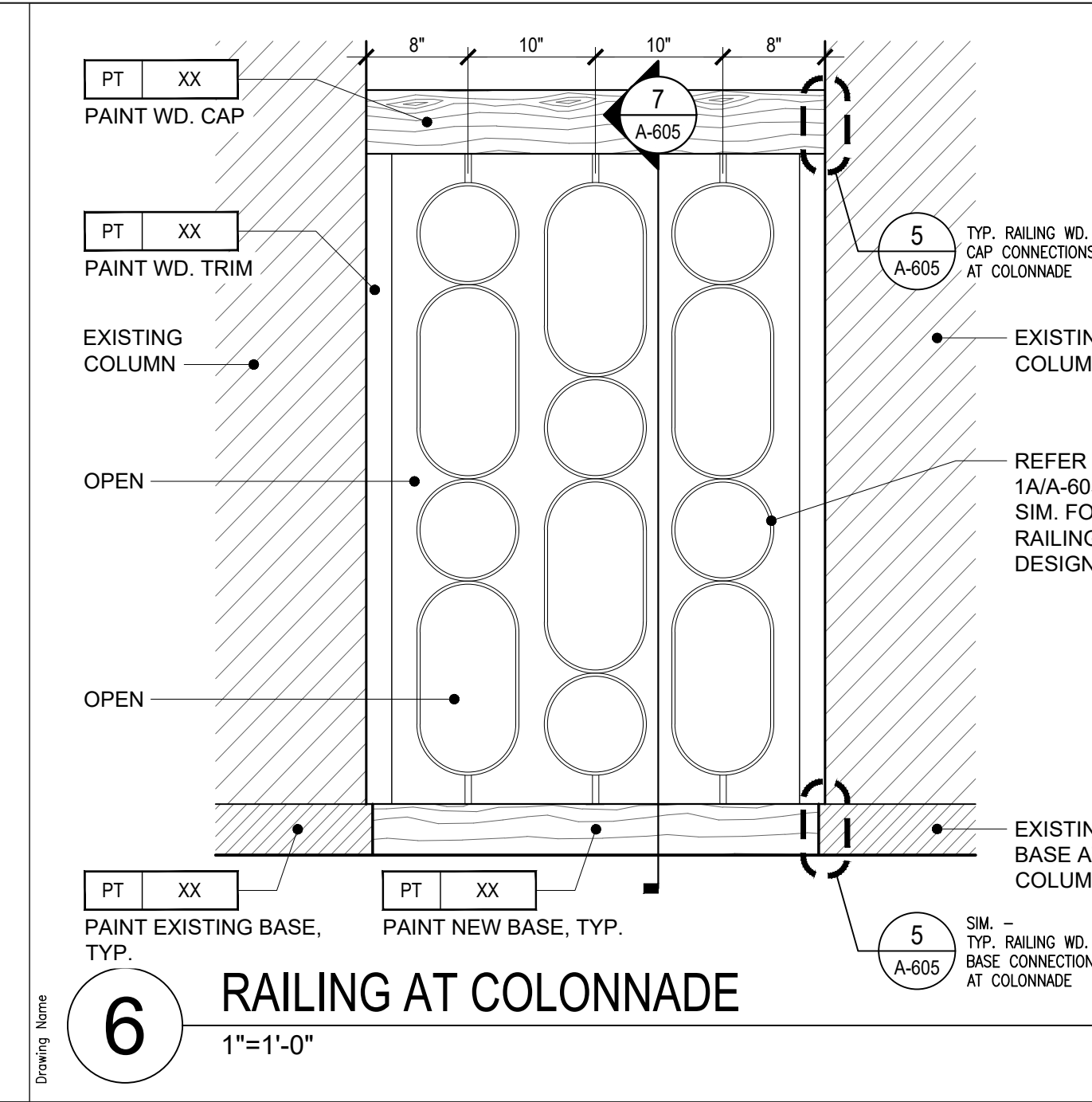
ISSUED FOR PERMIT 06-27-2025

A-450.00

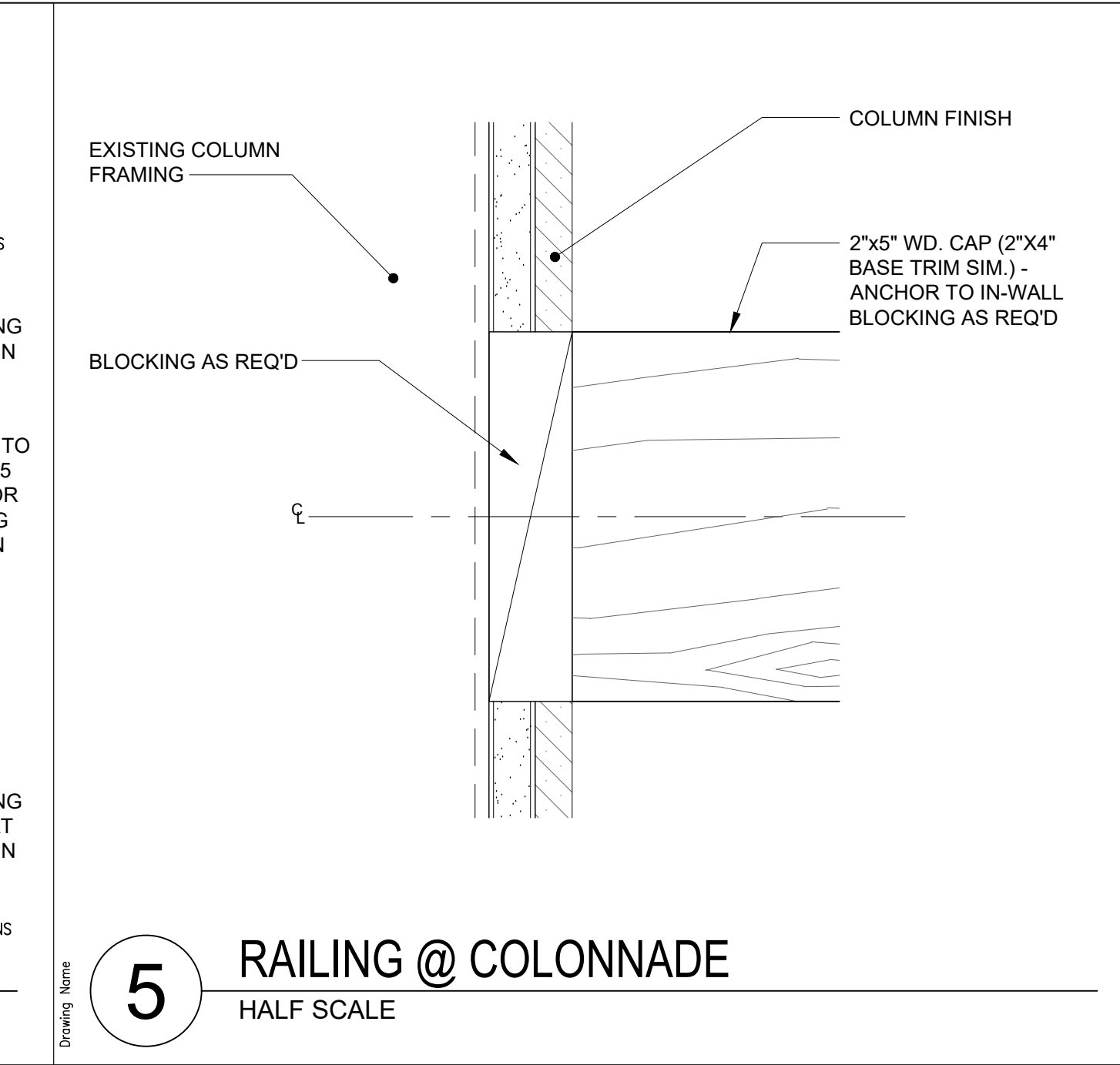
FOR PERMIT



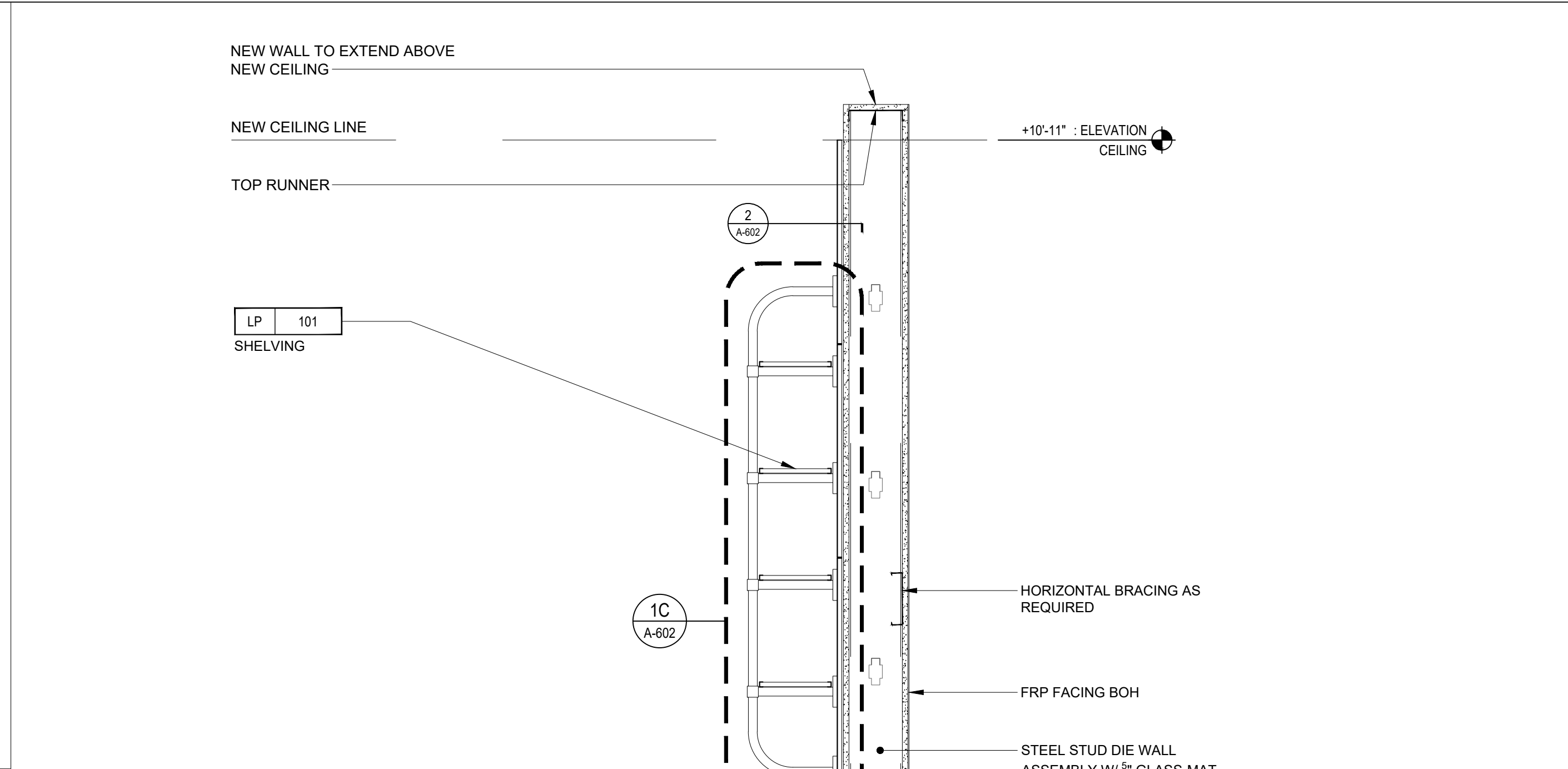
7 SECTION
1"=1'-0"



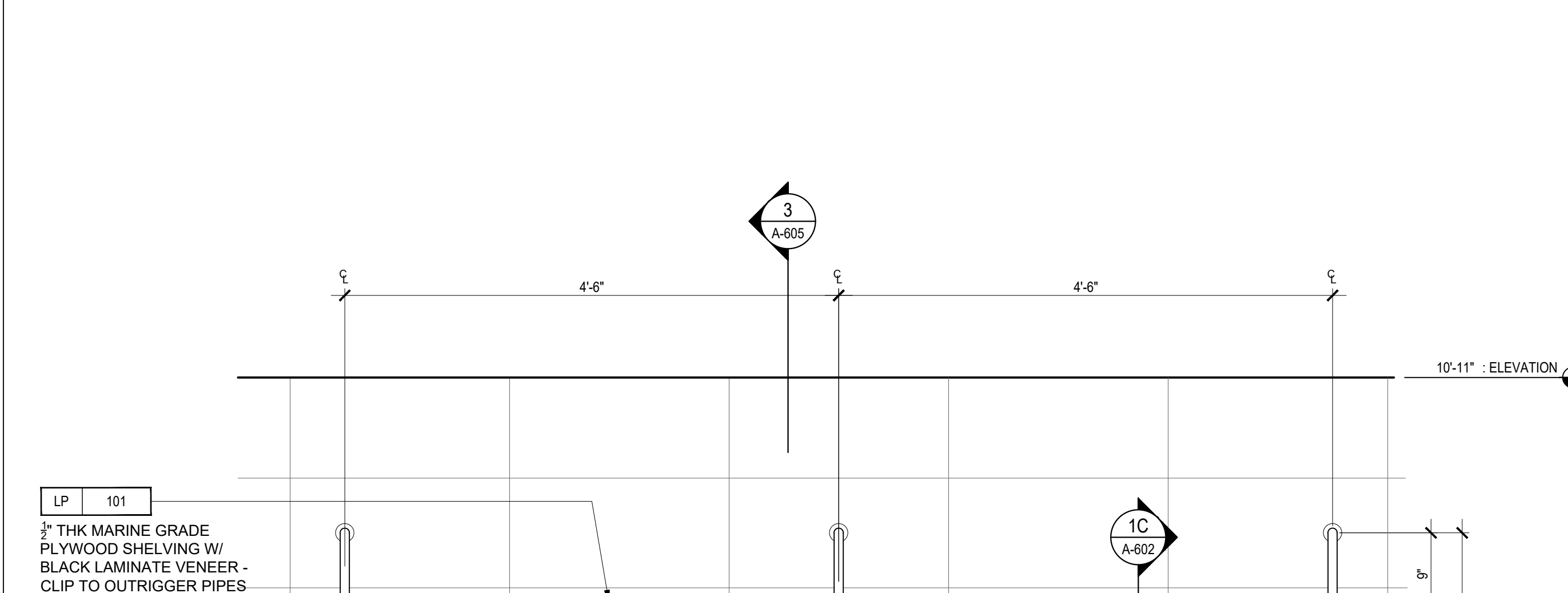
6 RAILING AT COLONNADE
1"=1'-0"



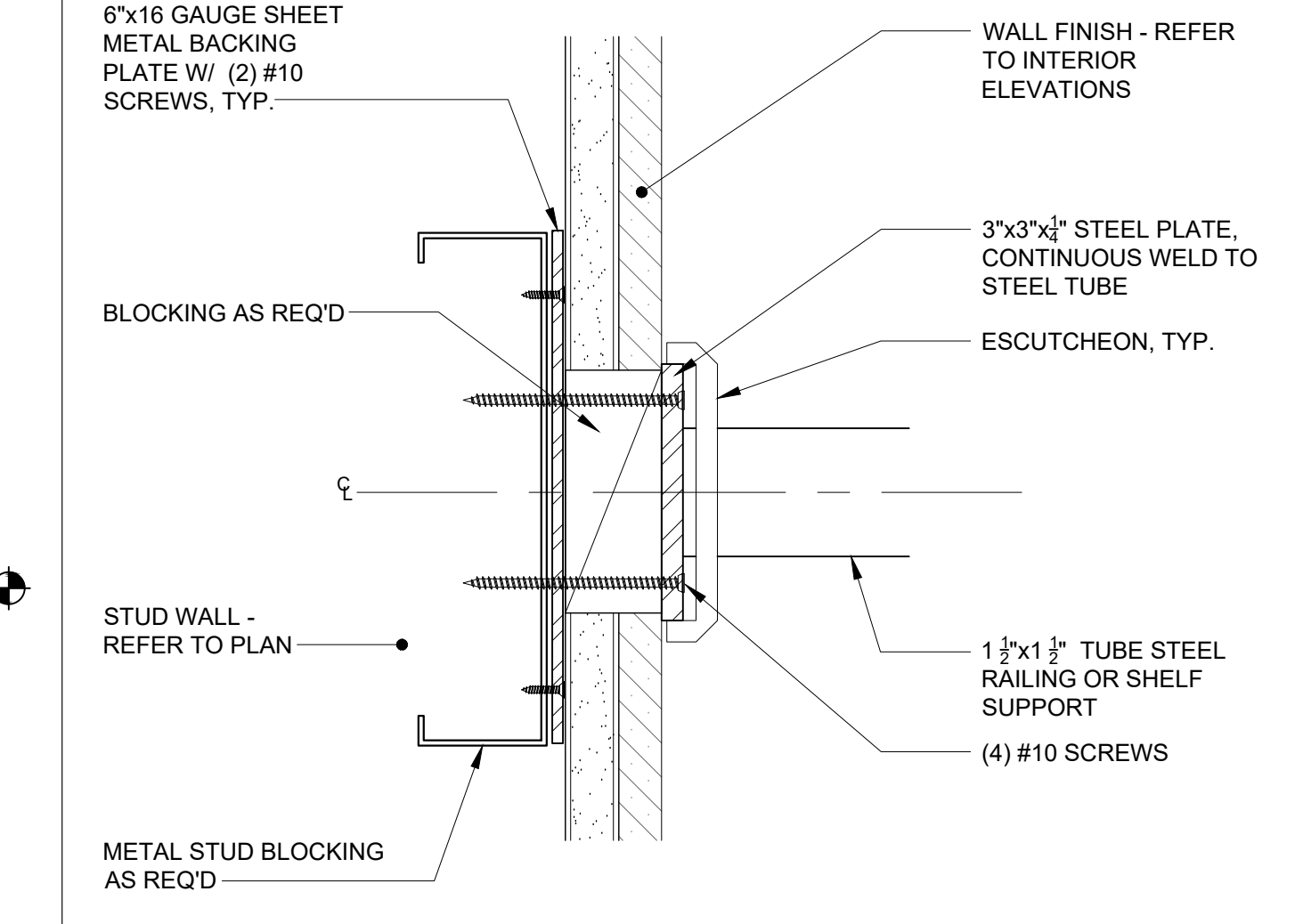
5 RAILING @ COLONNADE
HALF SCALE



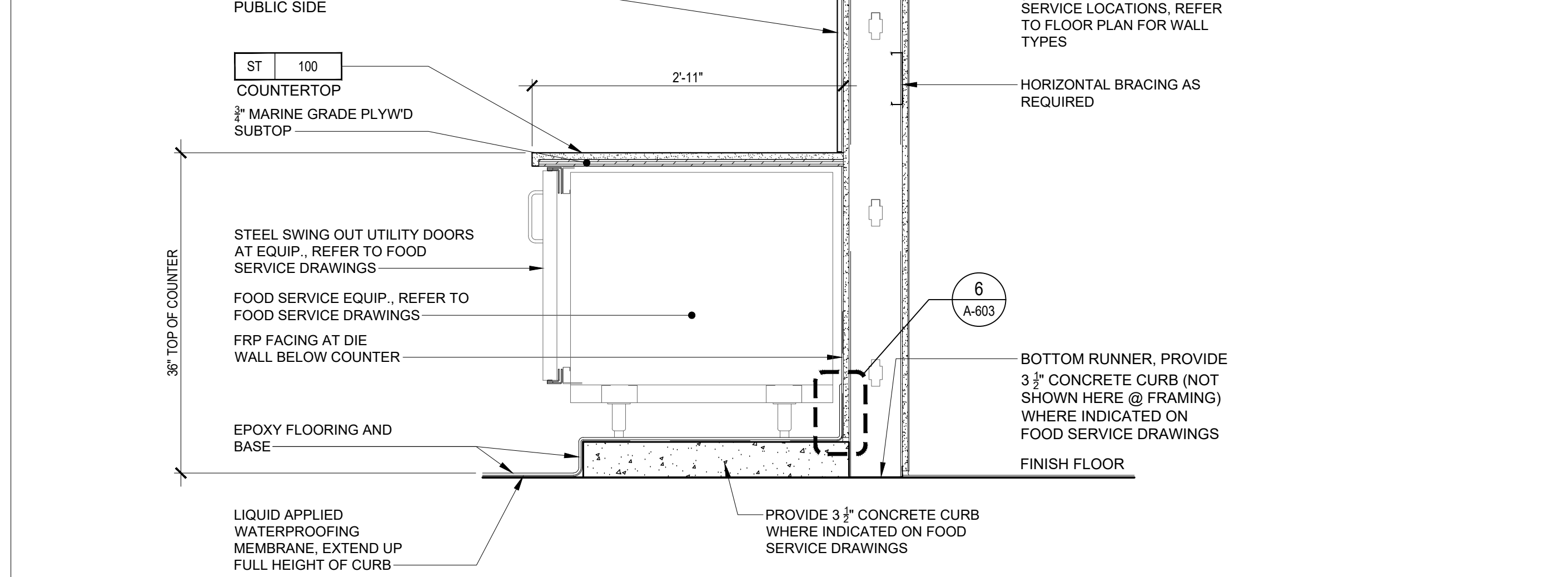
3 BACK COUNTER - SHELVING
1"=1'-0"



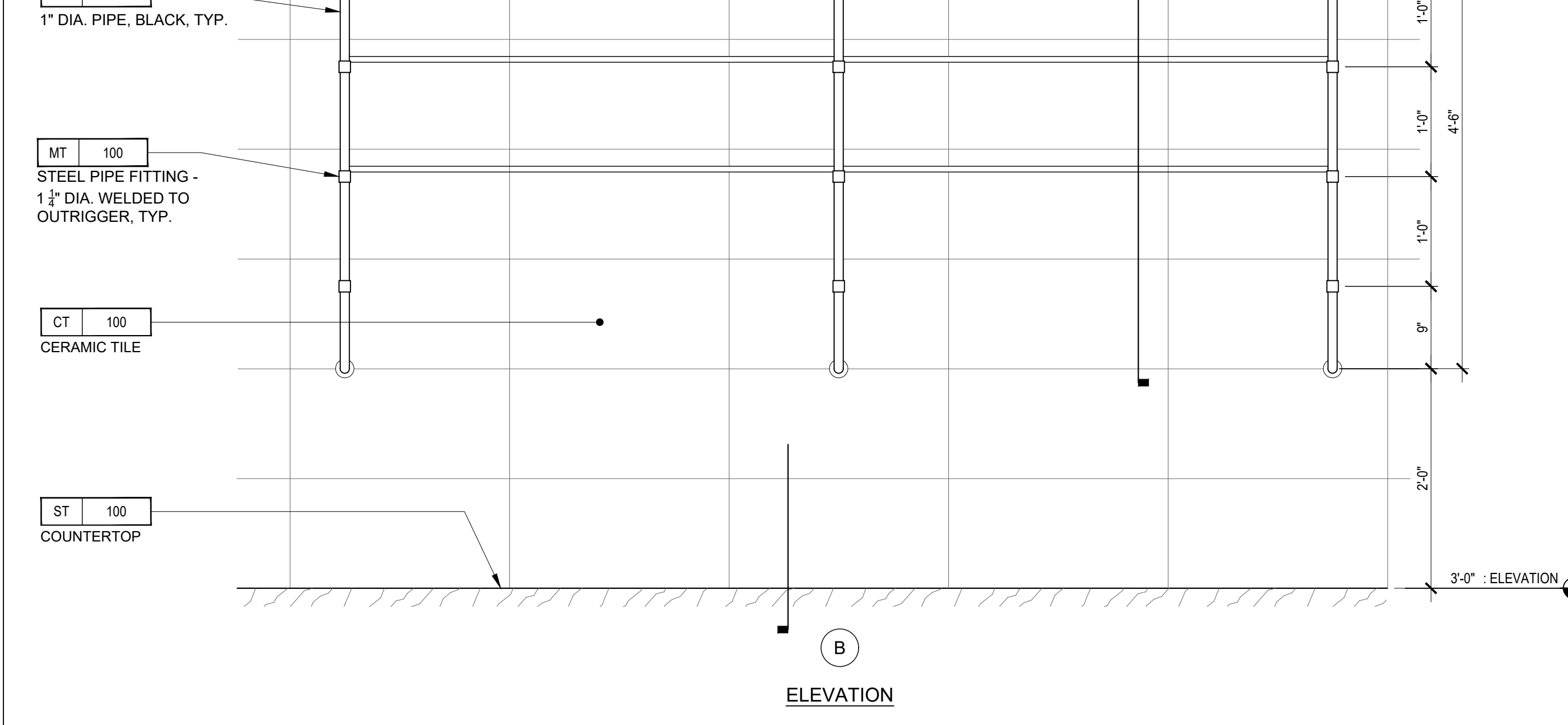
4 RAILING AND SHELF FRAME
HALF SCALE



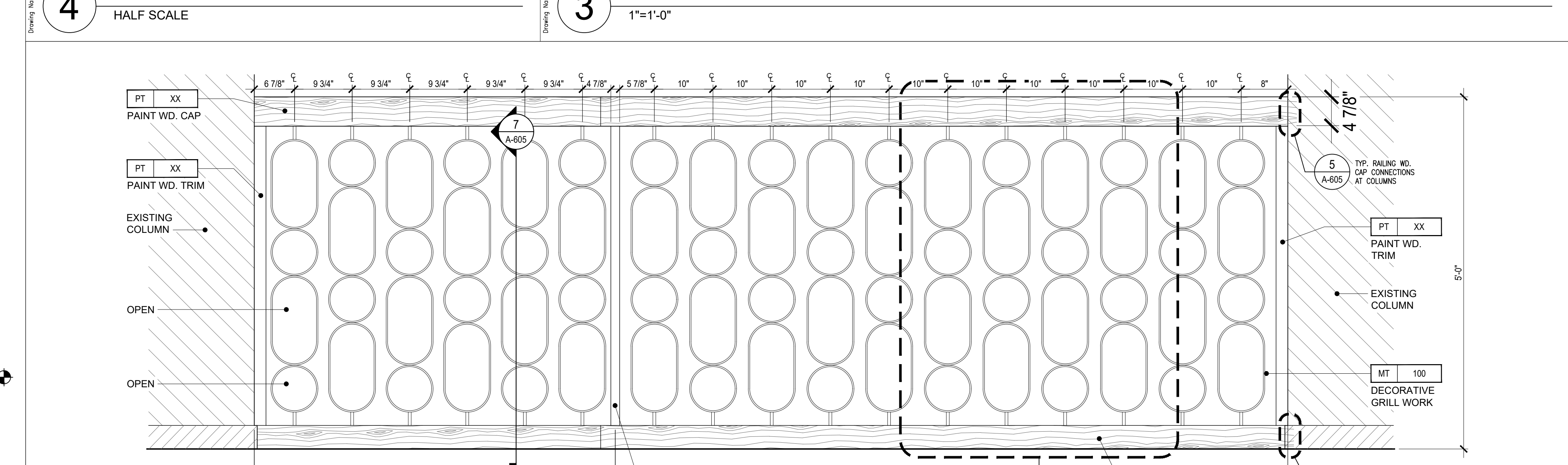
4 RAILING AND SHELF FRAME
HALF SCALE



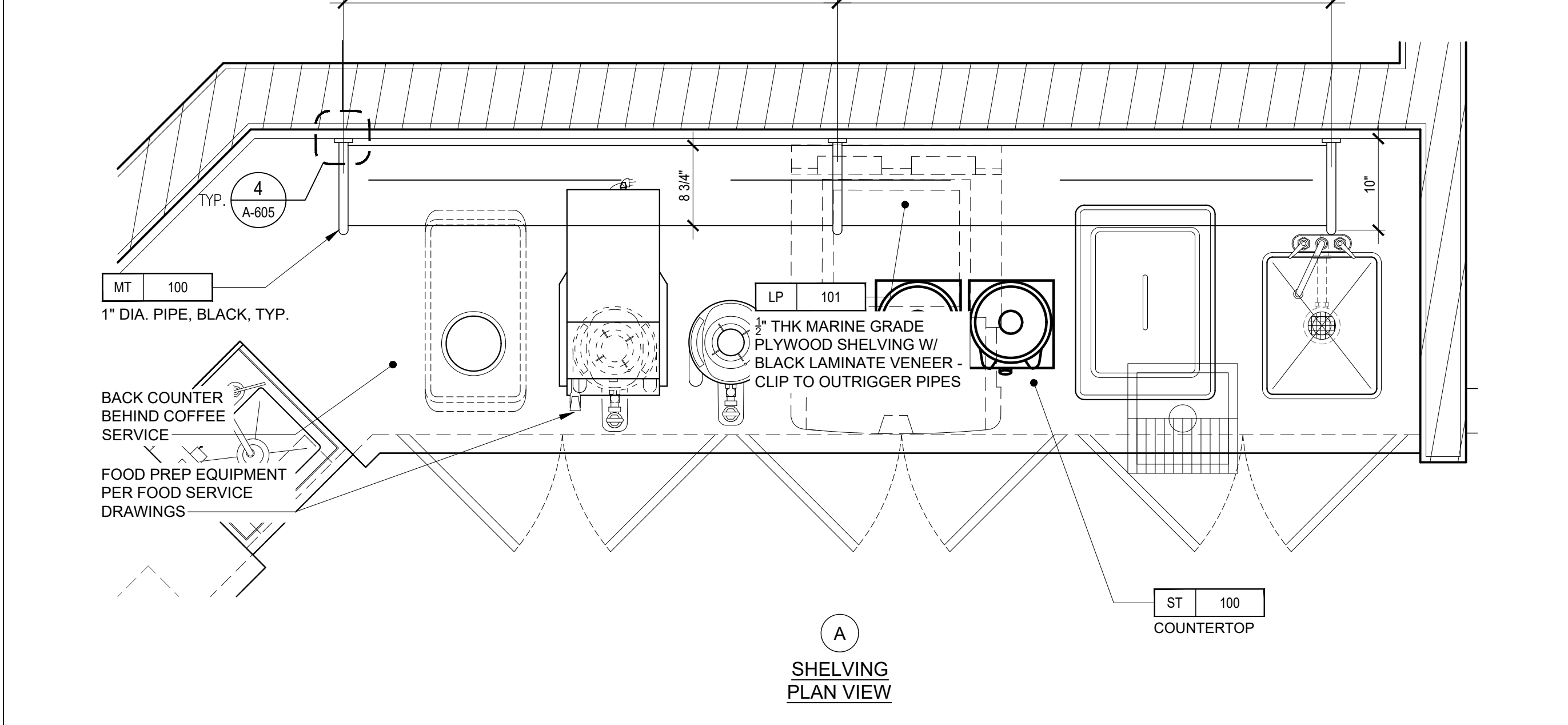
3 BACK COUNTER - SHELVING
1"=1'-0"



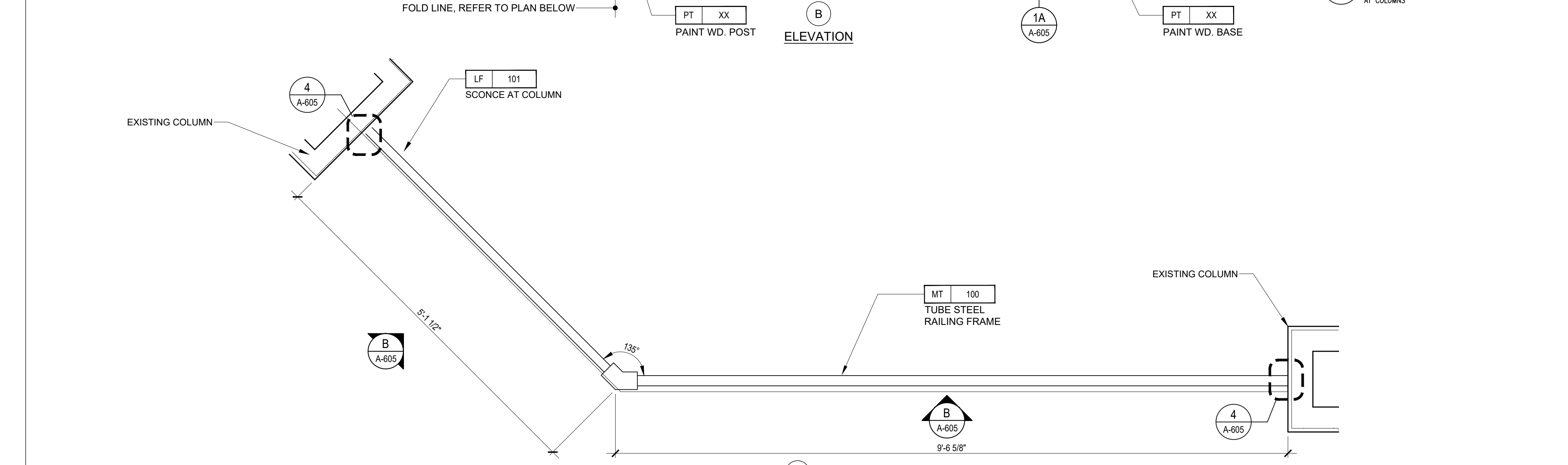
2 BACK COUNTER SHELVES - EAST
1"=1'-0"



1 RAILING AT COLUMNS
1"=1'-0"



2 BACK COUNTER SHELVES - EAST
1"=1'-0"



1 RAILING AT COLUMNS
1"=1'-0"

ARCHITECT :
RDH ARCHITECTURE + INTERIOR DESIGN

CONSULTANT :
Boyd Gaming

OWNER :
Diamond Jo Casino

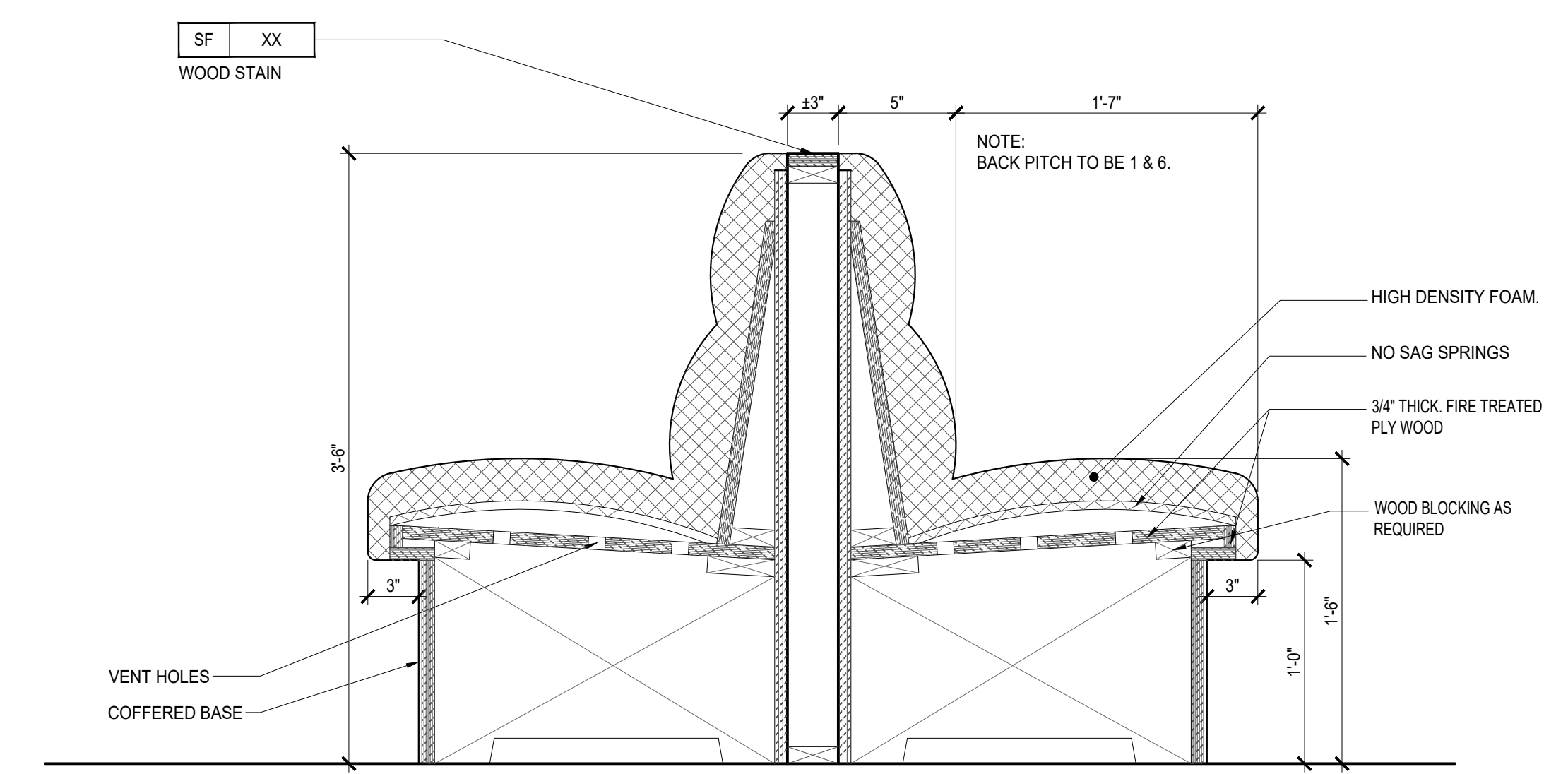
PROJECT :
DIAMOND JO DUBUQUE, IOWA
BUFFET CONVERSION TO A CAFE

NO.	DATE	ISSUE

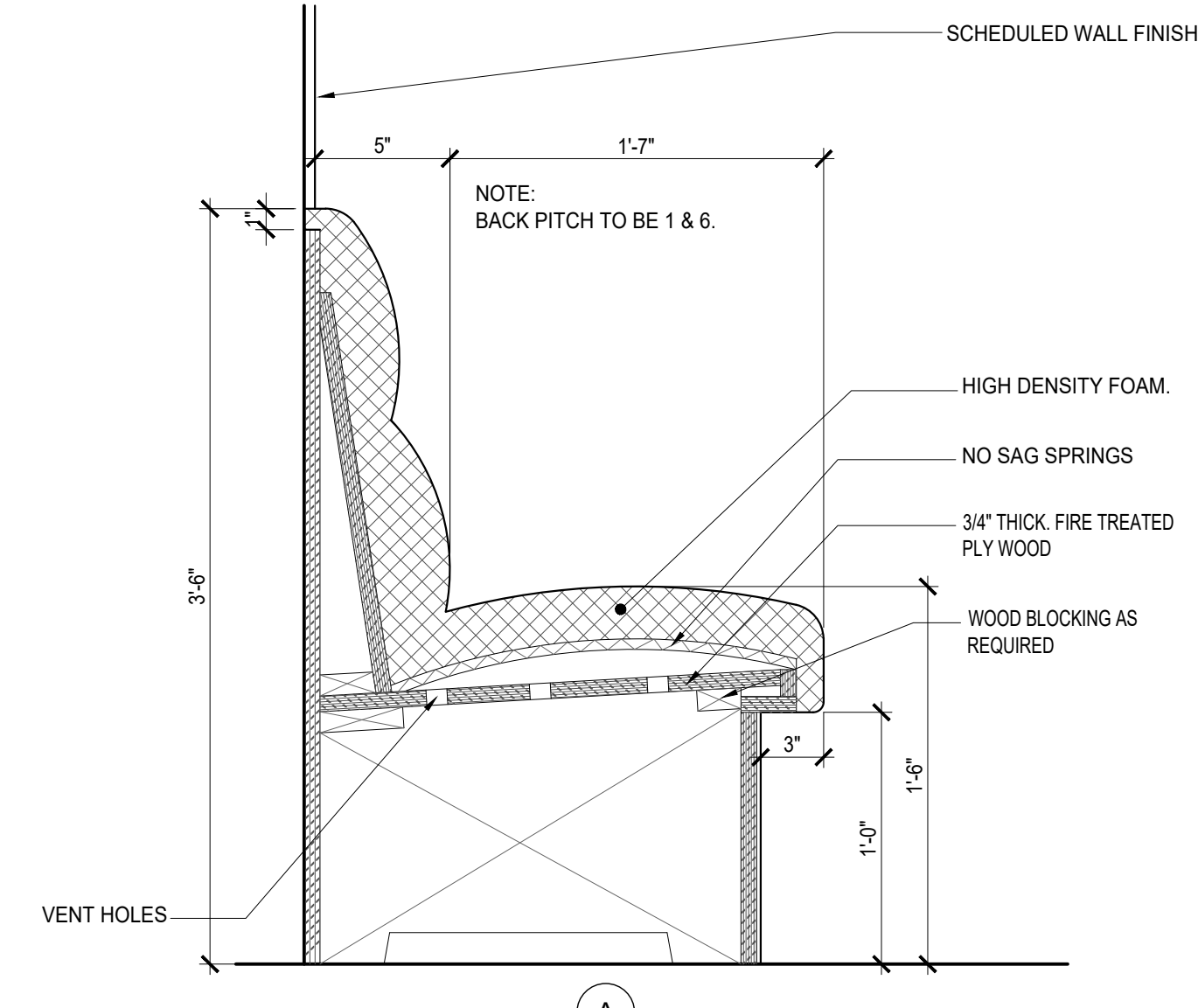
DRAWING TITLE :
DETAILS

ISSUED FOR PERMIT 06-27-2025

RDH Project No. 1633
Consultant Project No. 0000.00
Date: --
Drawn By DD Checked By DD Approved By RDH
File Name:
A-605.00
FOR PERMIT



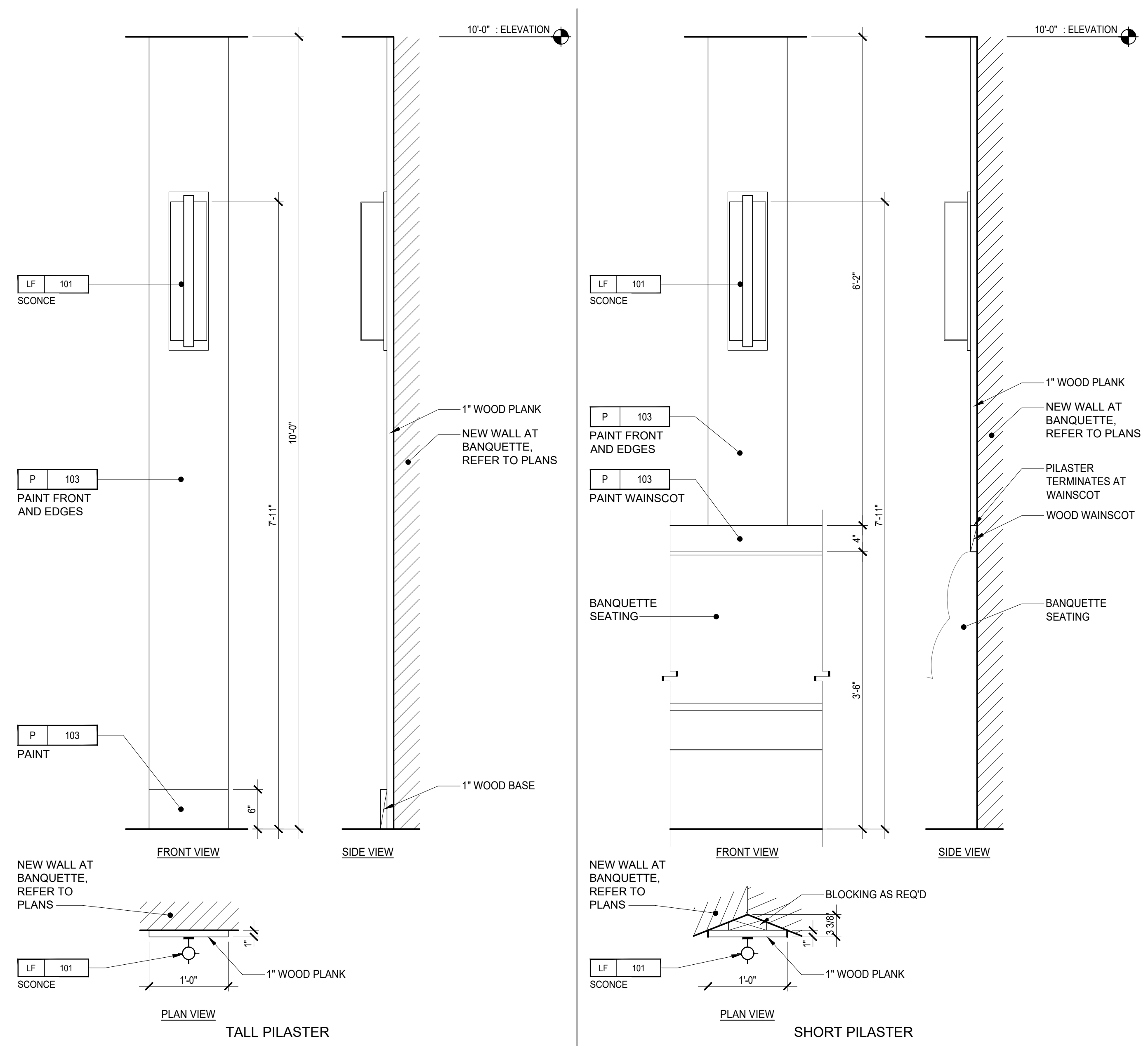
(B) DOUBLE BOOTH



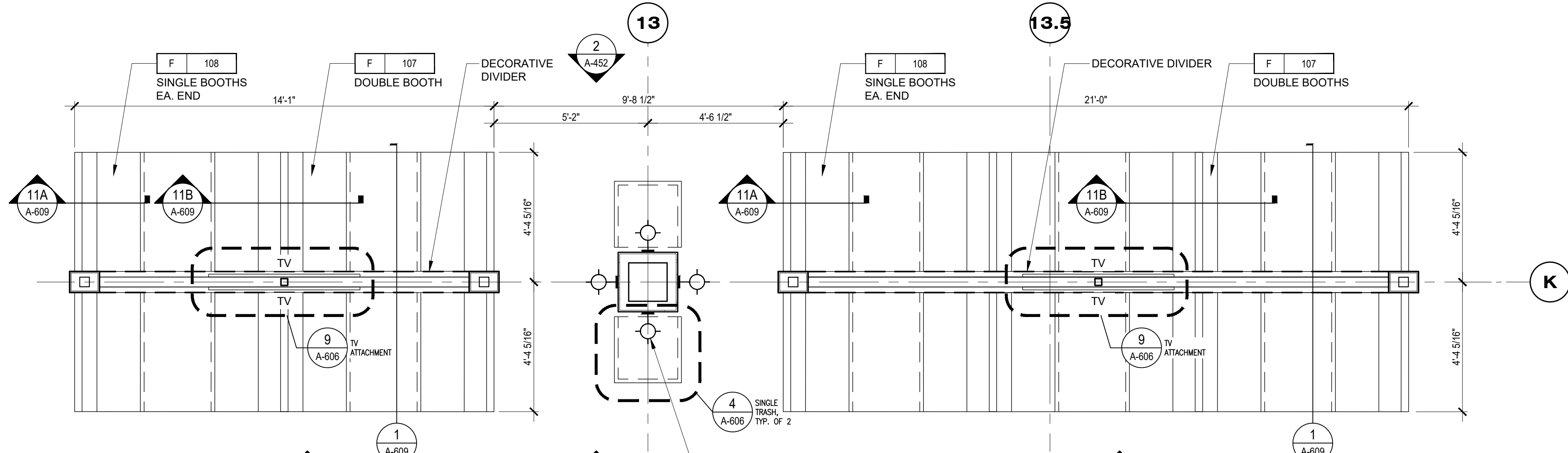
(A) SINGLE BOOTH

NOTES:
 BOOTH MFR. SHALL FIELD MEASURE TO DETERMINE FINAL BOOTH DIMENSIONS BASED ON BOOTH REQUIREMENTS AND SITE CONDITIONS.
 TABLETOP (NOT SHOWN HERE) MAY OVERLAP BOOTH SEAT BY 1-1/2" TO 2".

2 SEAT SECTIONS
 1 1/2"=1'-0"

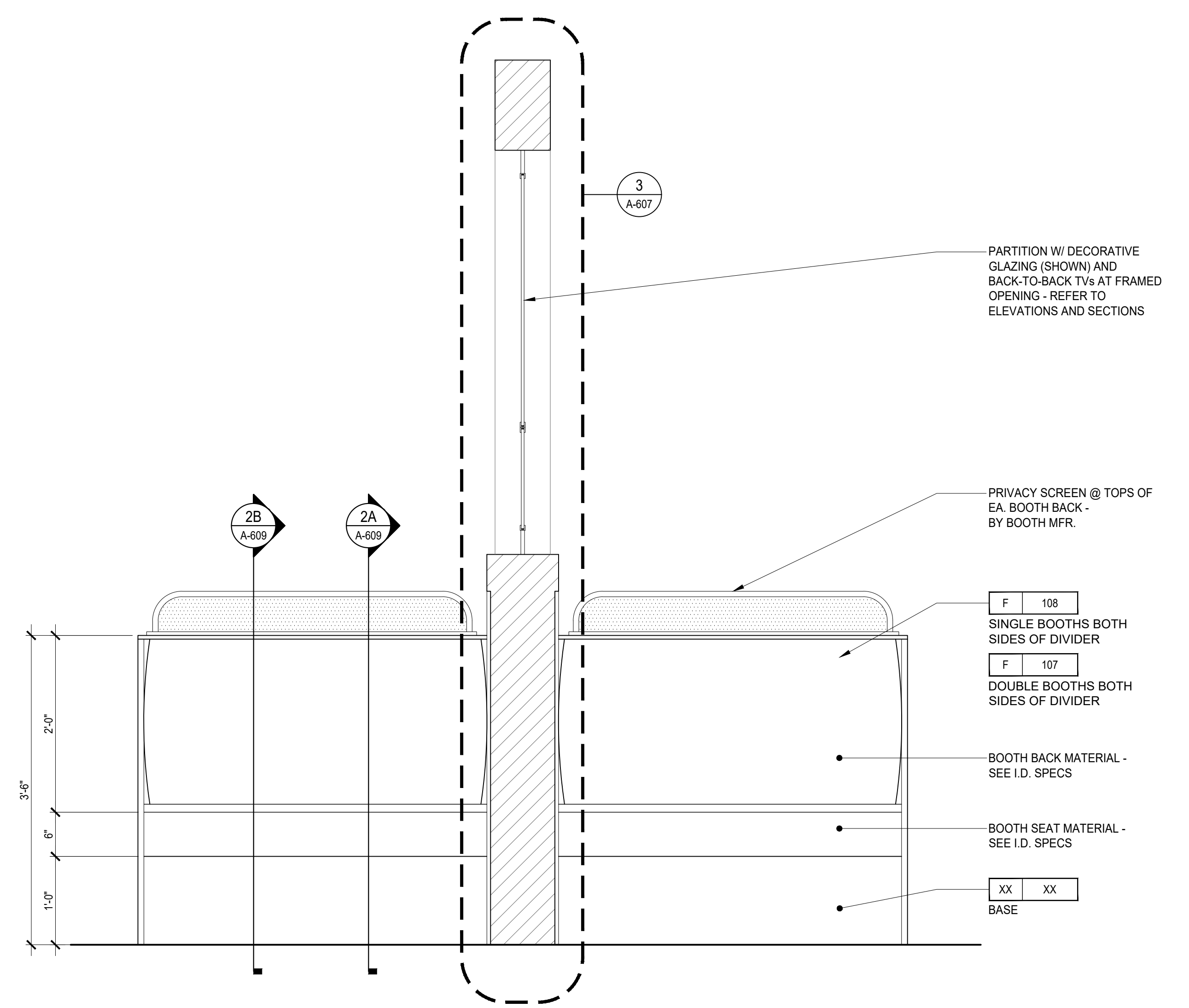


3 PILASTERS
 1"=1'-0"



4 PULLMAN BOOTHS
 3/8"=1'-0"

1 PULLMAN BOOTHS
 1"=1'-0"



ARCHITECT :
RDH
 ARCHITECTURE • INTERIOR DESIGN
 Dallas Corporate HQ: 7700 Lyndon B. Johnson Fwy., Suite 1000, Dallas, TX 75243
 Office: 972.243.8200
 San Diego Office: 5347 Friar Road, Suite 100, San Diego, CA 92162
 Office: 619.542.1847

SEAL:
 06-27-2025

CONSULTANT:

OWNER :
Boyd Gaming

PROJECT:
DIAMOND JO CASINO DUBUQUE, IA
 DIAMOND JO DUBUQUE, IOWA
 BUFFET CONVERSION TO A CAFE

NO.	DATE	ISSUE

REVISIONS :

DRAWING TITLE :
DETAILS

ISSUED FOR PERMIT 06-27-2025

A-609.00

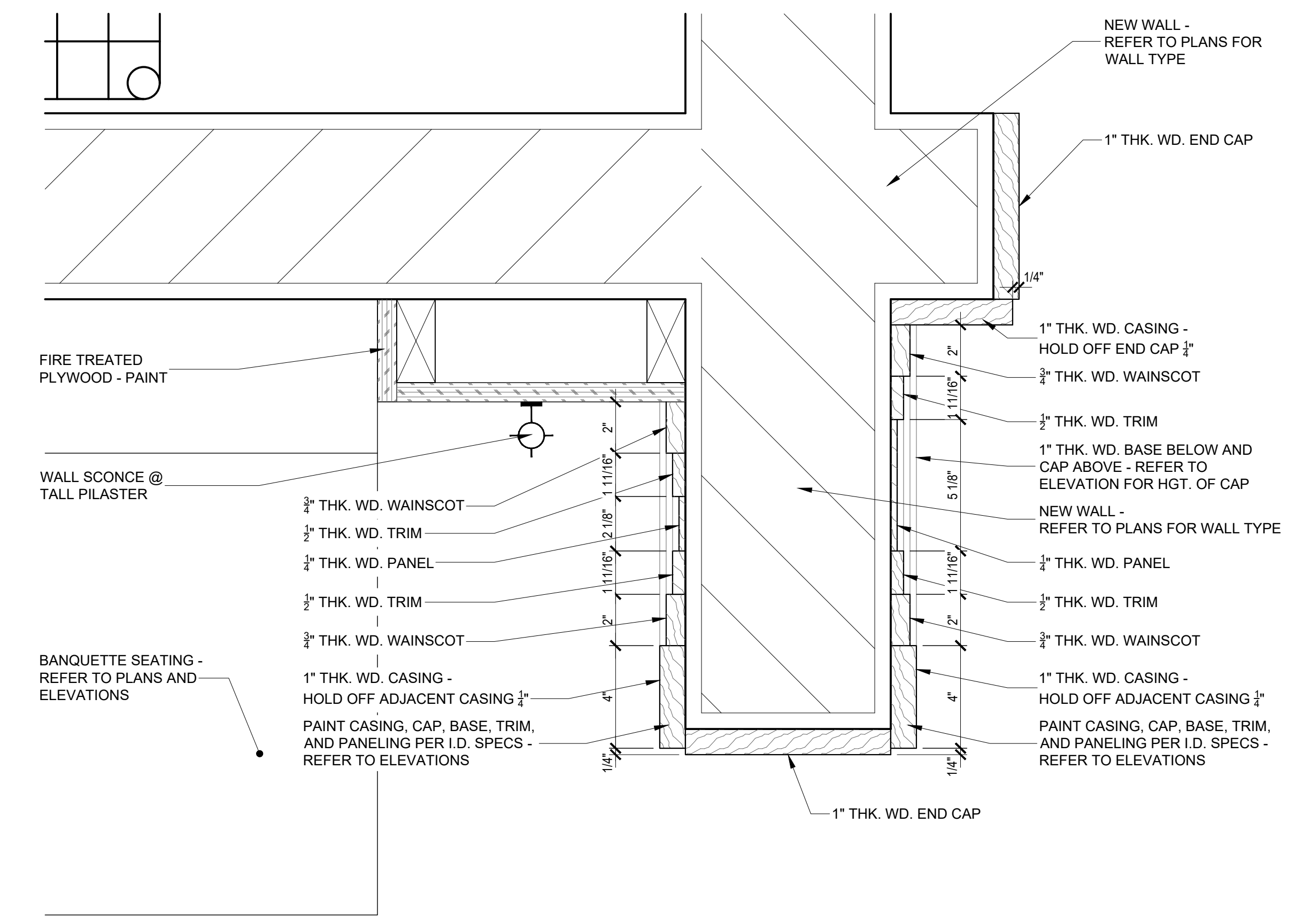
FOR PERMIT

NO.	DATE	ISSUE

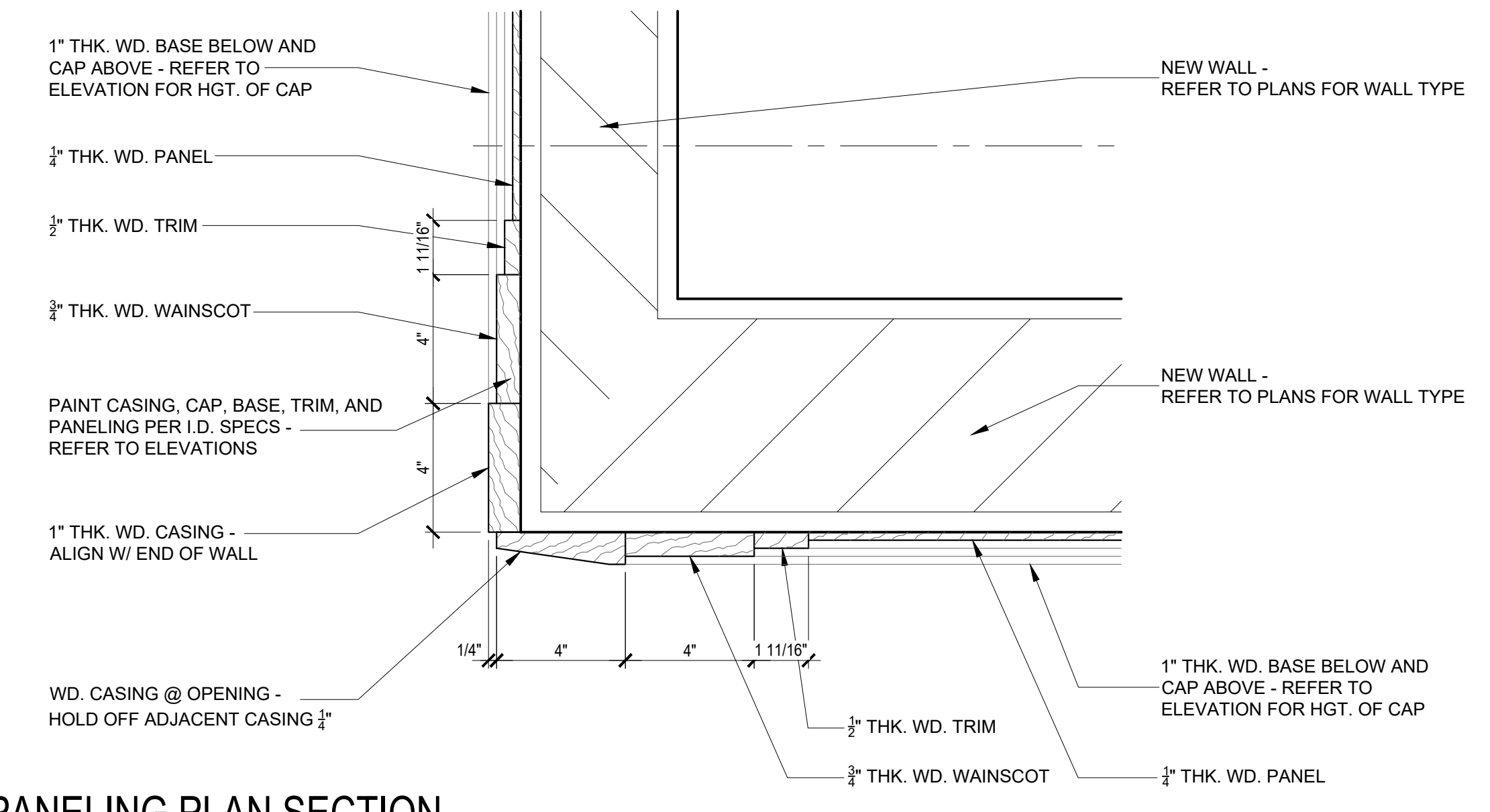
NO.	DATE	ISSUE

These drawings are the intellectual property of the architect and are not to be reproduced, stored in a retrieval system, or transmitted in any form or by any means, electronic, mechanical, photocopying, recording, or by any information storage and retrieval system, without the prior written permission of the architect. The architect shall not be responsible for any errors or omissions in these drawings, and the contractor shall verify all dimensions and conditions before proceeding with the work.

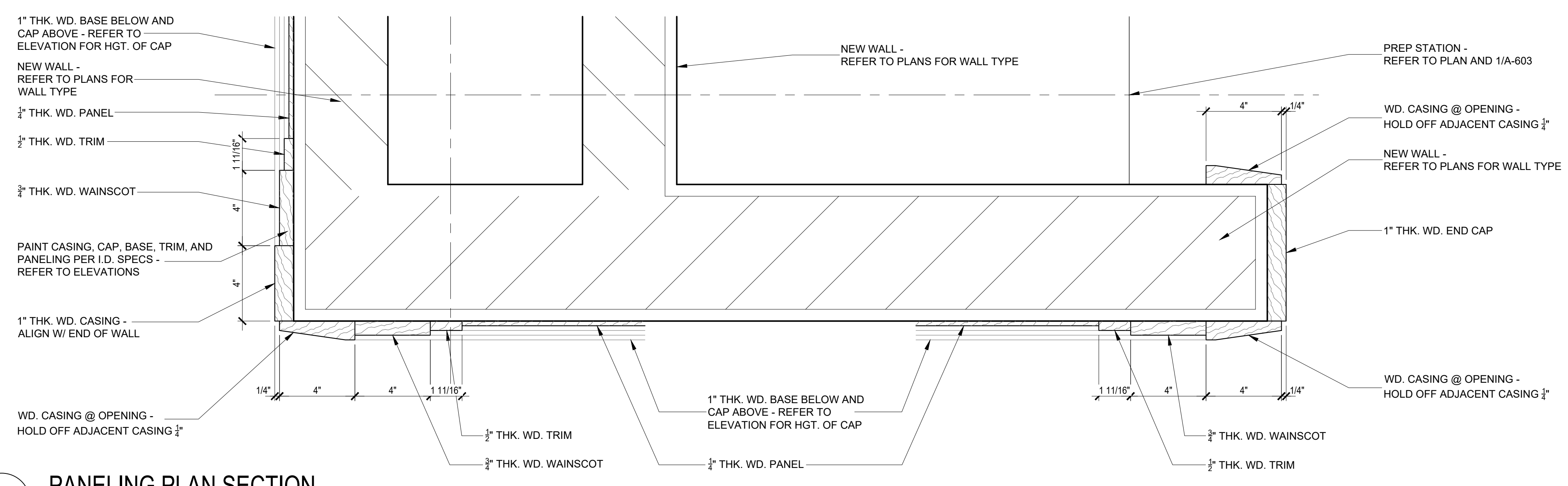
ISSUED FOR PERMIT 06-27-2025



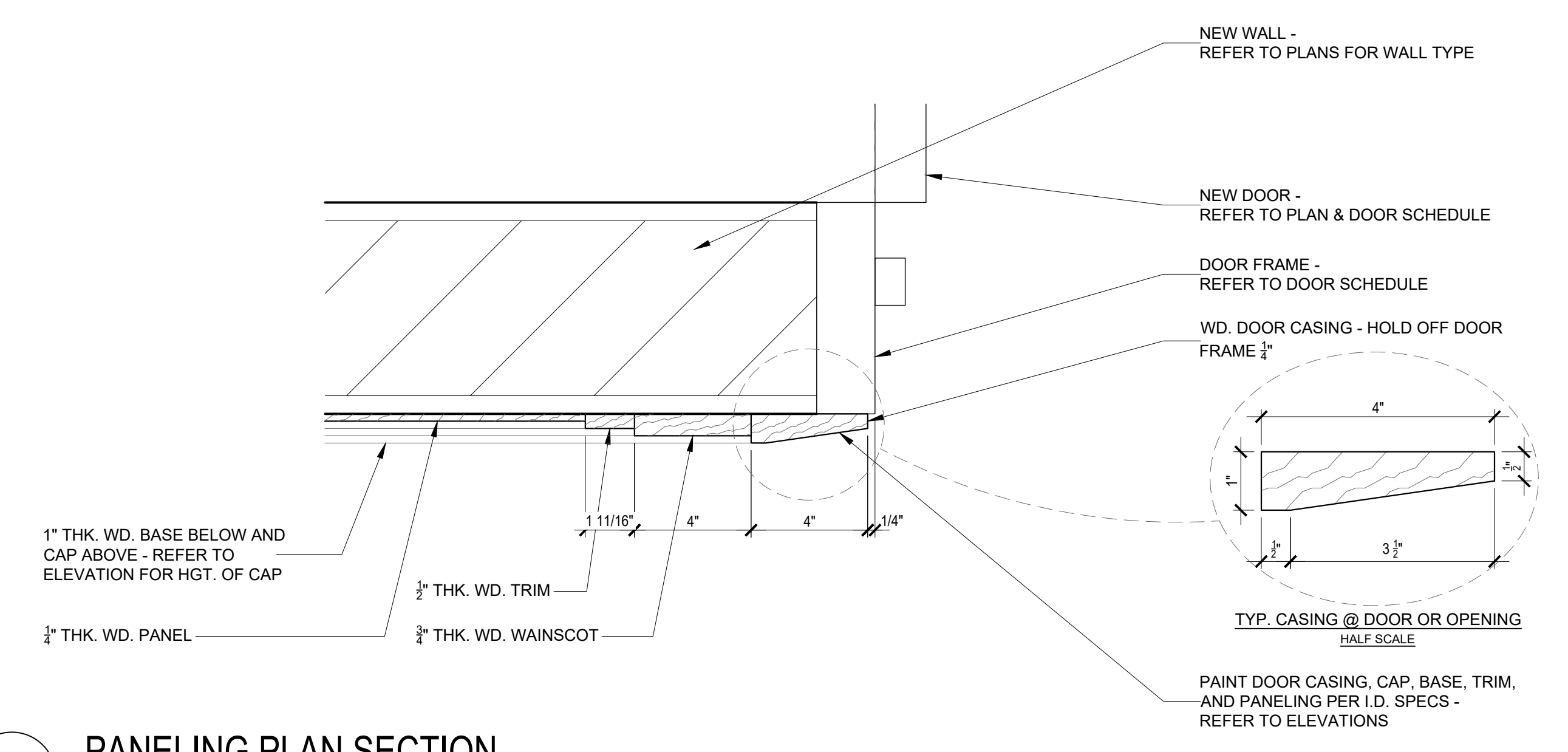
4 PANELING PLAN SECTION
3"=1'-0"



2 PANELING PLAN SECTION
3"=1'-0"



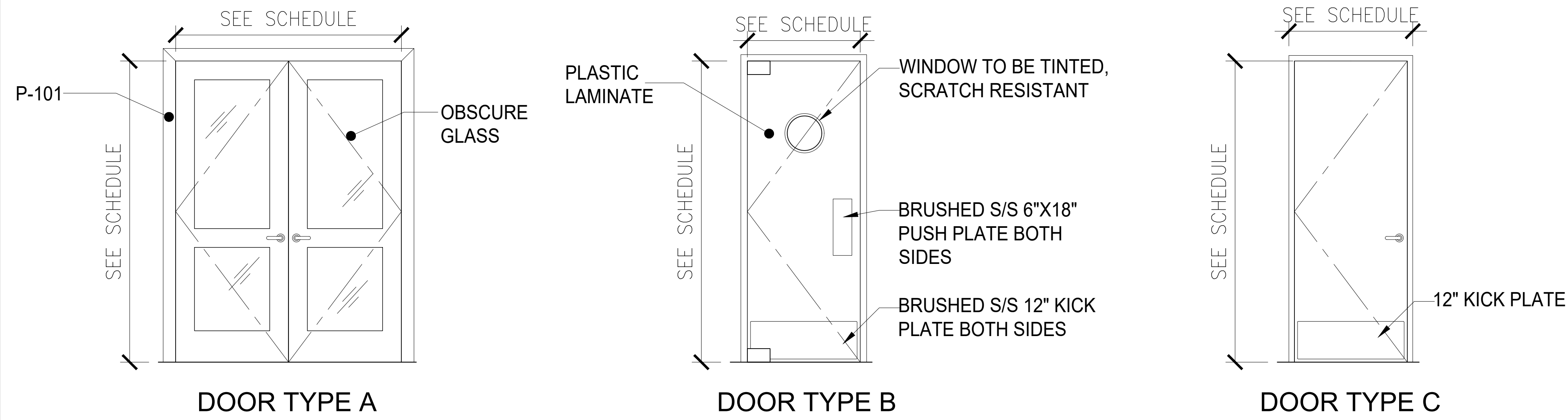
3 PANELING PLAN SECTION
3"=1'-0"



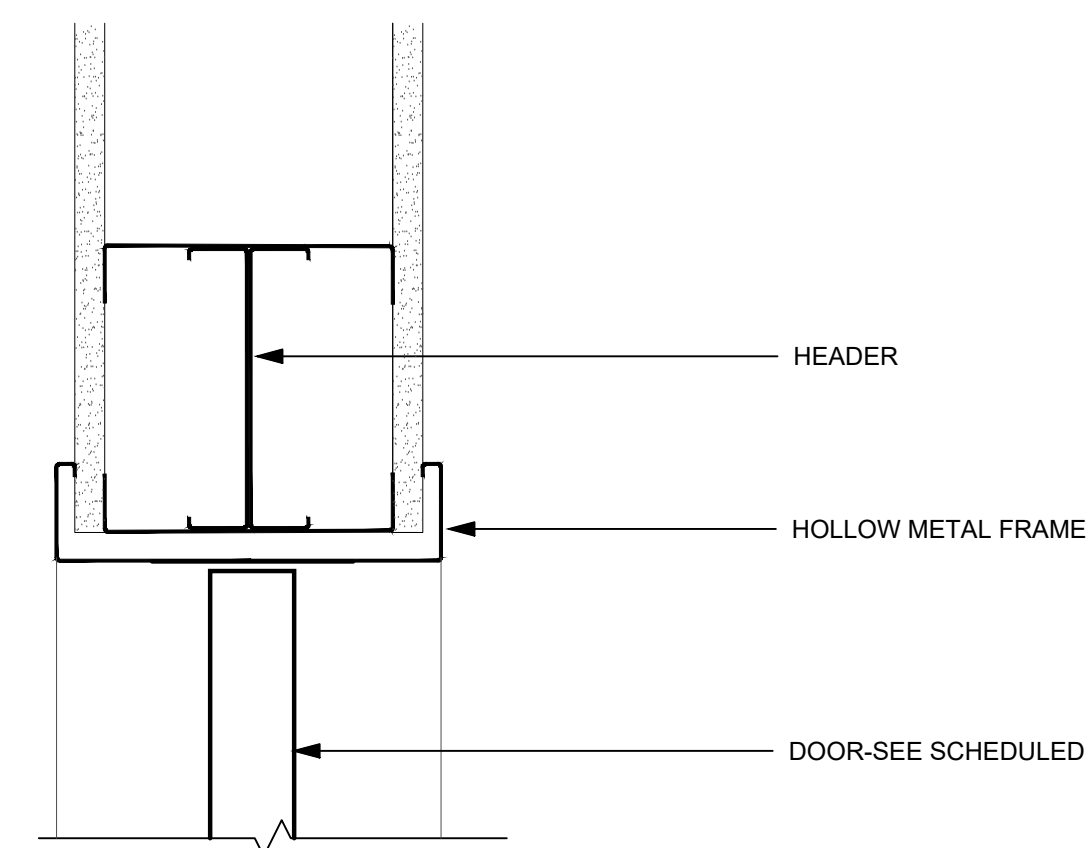
1 PANELING PLAN SECTION
3"=1'-0"

DOOR SCHEDULE

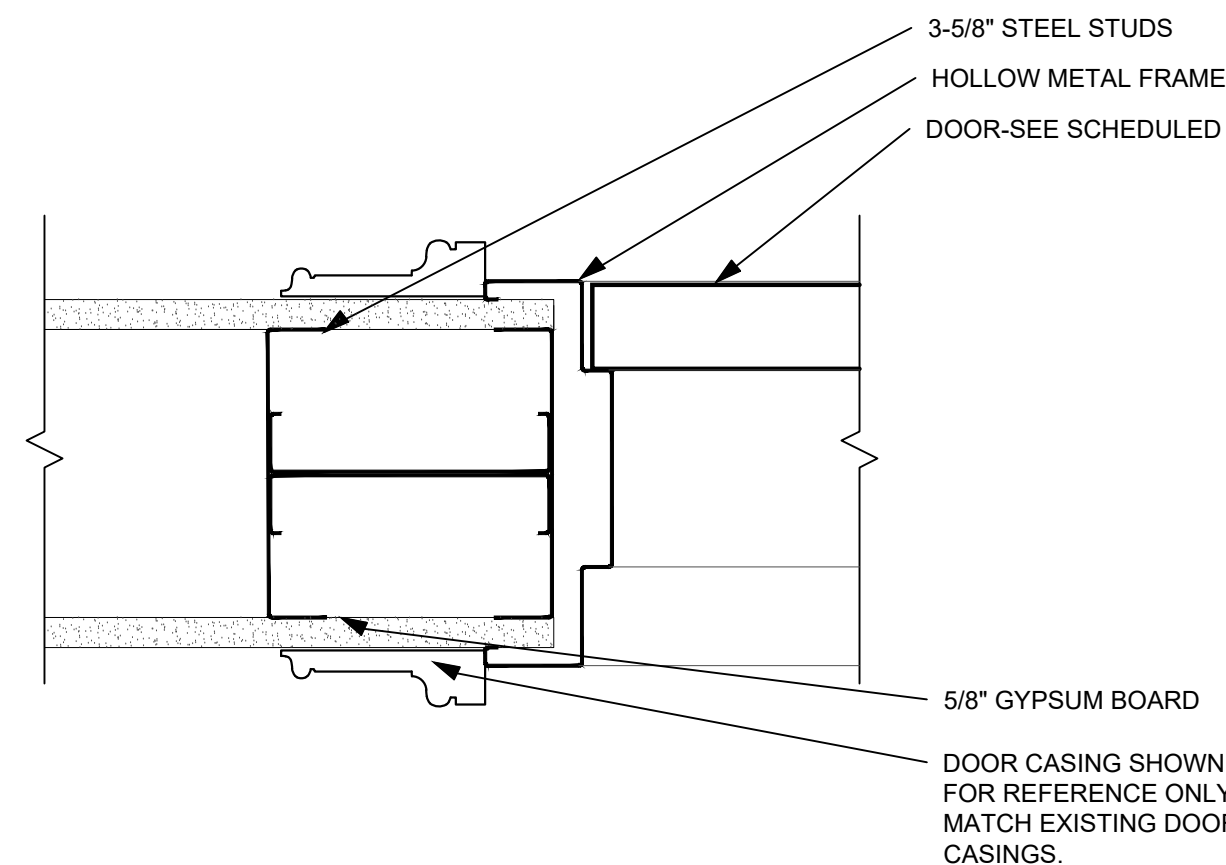
DOOR NO.	TYPE	DOOR					FRAME			RATING	HARDWARE SET	DOOR REMARKS	
		WIDTH	HEIGHT	THICKNESS	MATERIAL	FINISH	MATERIAL	FINISH	SILL				JAMB
100	A	3'-0" PAIR	8'-0"	1 3/4"	WOOD	PAINT	HM	PAINT	DETAILS 2 & 3 A-700			03	GLAZED W/ OBSCURE GLASS
101	B	3'-0"	8'-0"	1 3/4"	LP	LP	HM	PAINT	DETAILS 4 & 5 A-700			02	DUAL-SWING HINGE, SELF-RETURN W/ TINTED, ACRYLIC, SCRATCH-RESISTANT WINDOW
102	C	3'-0"	8'-0"	1 3/4"	WOOD	PAINT	HM	PAINT	DETAILS 2 & 3 A-700			03	-



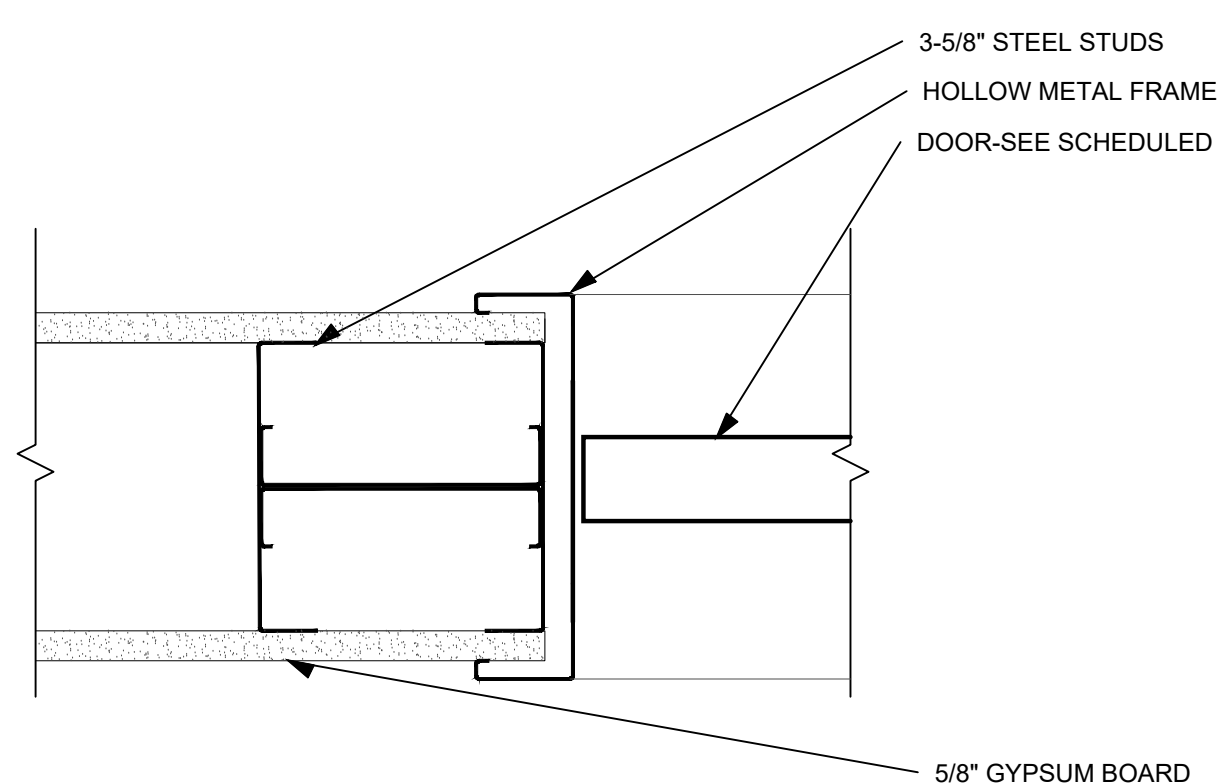
1 DOOR SCHEDULE
NTS



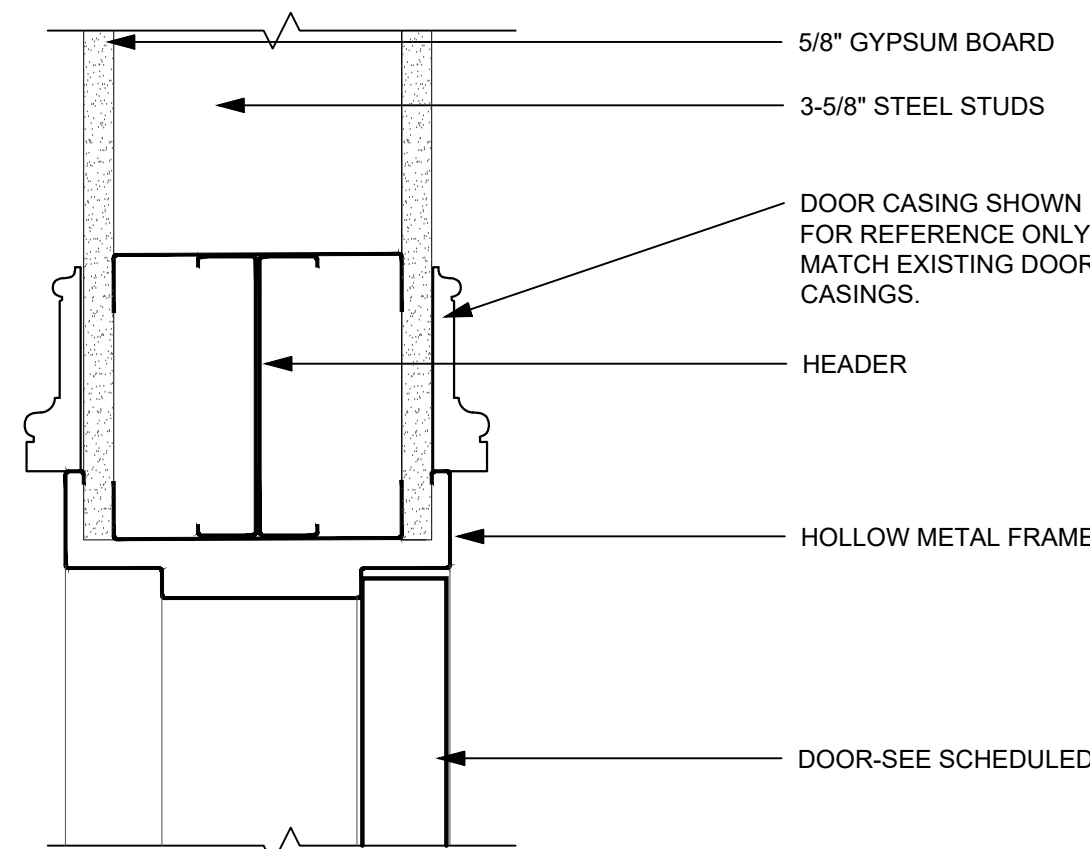
5 DOOR FRAME @ HEAD DETAIL
3"=1'-0"



3 DOOR FRAME @ JAMB DETAIL
3"=1'-0"



4 DOOR FRAME @ JAMB DETAIL
3"=1'-0"



2 DOOR FRAME @ HEAD DETAIL
3"=1'-0"

HARDWARE

SET #01:

QTY	DESCRIPTION	CATALOG NO.	FINISH	MFR
1 EA	INTERMEDIATE PIVOT	ML 19	626	(PV-2) RIXSON
1 EA	ELECTRIFIED INTER PIVOT	EML19	626	(PV-4) RIXSON
1 EA	FLOOR CLOSER	PH L27N	626	(PV-5) RIXSON
1 EA	FAIL SAFE LOCK (LO-13)SARGENT	70 8270-24V LNL	US26D	
1 EA	MAGNETIC LOCK (LO-26)SECURITY DOOR CONTROL	1512 A B D T	628	
1 EA	SFIC PERMANENT CORE (CY-2)BLUEWATER	SFIC PERMANENT CORE	626	

ARCHIT'L

PRODUCTS

QTY	DESCRIPTION	CATALOG NO.	FINISH	MFR
1 EA	WALL STOP (ST-1)ROCKWOOD	409	US26D	
1 EA	GASKETING	S88BL18'		(GA-17)PEMKO
1 EA	CARD READER	CARD READER(BY SIMPSON)		(EA-1) OTHER
1 EA	PUSH BUTTON	423M	630	(EC-4) SECURITY DOOR

CONTROLS

QTY	DESCRIPTION	CATALOG NO.	FINISH	MFR
1 EA	POWER SUPPLY	631RFA XUR2-4		(PS-2)SECURITY DOOR

CONTROLS
LEVEL 8 BALLISTIC DOOR (672 LBS)

SET #02:

QTY	DESCRIPTION
2 EA	DUAL SWING HINGE ELIASON EASY SWING HINGE SYSTEM

SET #3:

QTY	DESCRIPTION	CATALOG NO.	FINISH	MFR
3 EA	HINGE	5BB1HW4.5X4.5 NRP	652	IVE
1 EA	LEVER	8200 SERIES A	626	ASSA
1 EA	RIM CYLINDER	MATCH BUILDING	626	SCH
1 EA	FSIC CORE	MATCH BUILDING	626	SCH
1 EA	KICK PLATE	8400 10"X 2" LDW B-CS	630	IVE
1 EA	WALL STOP	WS406/407CCV	626	IVE
1 EA	SILENCER	SR64/65 AS REQ'D	GRY	IVE
1 EA	SURFACE CLOSER	4050A REG OR PA AS REQ'D	699	IVE

ADDITIONAL HARDWARE NOTES:

- HARDWARE GROUPS SHOWN FOR PERFORMANCE ONLY
- VERIFY HARDWARE SUBMITTAL WITH FACILITIES STANDARD
- ALL FINISHES TO BE BRUSHED STAINLESS
- ALL LOCKSETS TO BE LEVER TYPE ANSI APPROVED

ARCHITECT :
RDH
ARCHITECTURE + INTERIOR DESIGN

1000 Corporate Blvd. #1000
Dulles, VA 20146
Tel: 703.241.1000
Fax: 703.241.1001

1000 Corporate Blvd. #1000
Dulles, VA 20146
Tel: 703.241.1000
Fax: 703.241.1001

1000 Corporate Blvd. #1000
Dulles, VA 20146
Tel: 703.241.1000
Fax: 703.241.1001

1000 Corporate Blvd. #1000
Dulles, VA 20146
Tel: 703.241.1000
Fax: 703.241.1001

1000 Corporate Blvd. #1000
Dulles, VA 20146
Tel: 703.241.1000
Fax: 703.241.1001

SEAL:
06-27-2025

CONSULTANT:

OWNER :

Boyd Gaming

DIAMOND JO CASINO
DUBUQUE, IA

DIAMOND JO DUBUQUE, IOWA

PROJECT: BUFFET CONVERSION TO A CAFE

REVISIONS :

NO.	DATE	ISSUE

DRAWING TITLE :

DOOR SCHEDULE

At dimensions, levels, heights and field conditions shall be verified at the site by the contractor before proceeding with the work.

RDH Project No. 1633

Consultant Project No. 0000.00

Date: --

Drawn By DD Checked By DD Approved By RDH

File Name:

A-700.00

FOR PERMIT

ISSUED FOR PERMIT 06-27-2025