



The Most Powerful Networking Radio



TW SHADOW 135 HIGH POWER RADIO (HPR)

HIGH POWER NETWORKING

TrellisWare's TW Shadow 135 HPR complements the TW Shadow 950 radio by providing greater transmission power and supports a wide range of configurations.

KEY FEATURES

- Contains all of the features of the TW Shadow 950 radio
- Delivers 20 Watts of transmit power in UHF, L-band, and S-band to extend and strengthen MANET networks
 - Provides long-range transmissions as a backhaul in challenging environments
 - Capable of greater than 200 miles when Long Range Mode license feature is enabled
- Versatile form factor that supports vehicular, airborne, fixed-site, or manpack configurations
 - MIL-STD-1275 compliant power interface to support military vehicle installation
- Shares common accessories with the TW Shadow 900/950 handheld radio to maximize flexibility and save life cycle cost

TRELLISWARE WAVEFORMS

TrellisWare's Barrage Relay technology provides proven network scalability and performance without compromising quality of service. The TSM waveform is a highly scalable and robust MANET waveform that supports over 800 nodes with simultaneous voice, data, video, and PLI operating in a single radio frequency channel. The optional Katana waveform combines resilient narrowband fast frequency hopping with tactical MANET, operating in highly contested radio frequency (RF) communication environments.



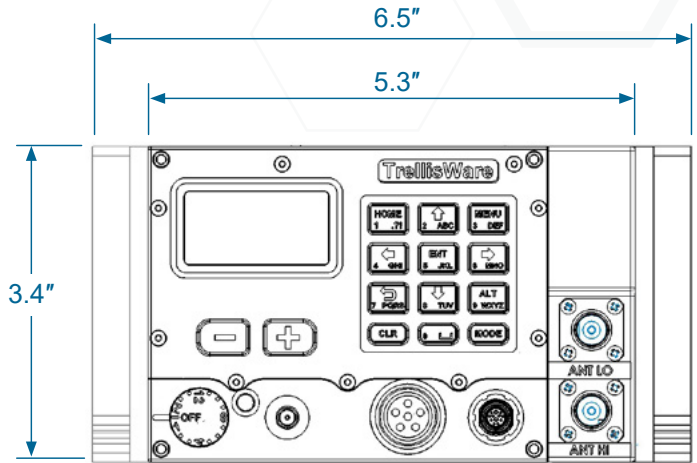


SPECIFICATIONS

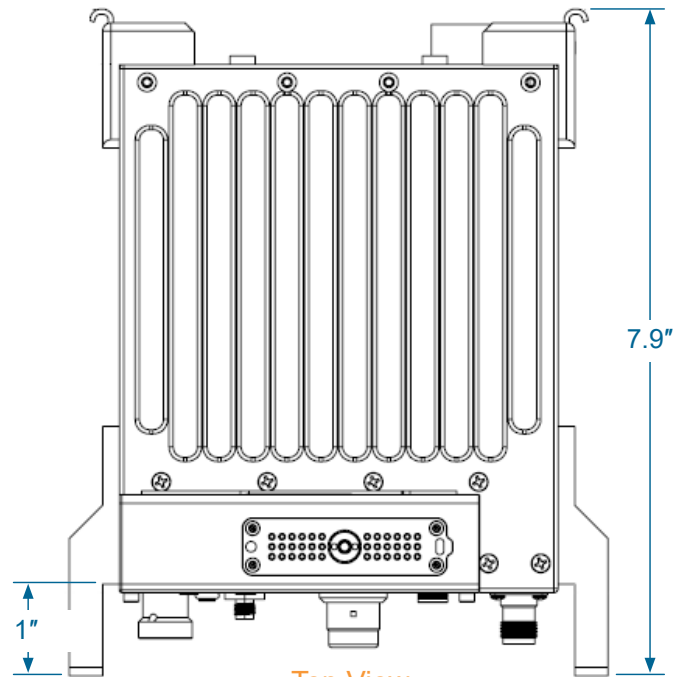
Physical	
Overall Size	7.9 L x 6.5 W x 3.4 D in (203 x 164 x 86 mm)
(Without Handles)	7.5 L x 5.3 W x 3.4 D in (189 x 135 x 86 mm)
Weight	6.4 lbs (181 g)
Frequency Range	<ul style="list-style-type: none"> • LUHF: 225–450 MHz • U-UHF: 698–970 MHz • L/S Bands: 1250–2600 MHz
Bandwidth/Channel Spacing	Wideband: 1.2, 3.6, 10, 20 MHz Narrowband: 6.25, 8.33, 12.5, 20, 25, 50 kHz
Transmit Power	001 mW, .01 mW, .1 mW, 10 mW, 100 mW, 2 W, 5 W, 10 W, 20 W
Input Power	20–33 VDC
Rechargeable Battery	288 Wh TW-1451 BB-2590
Connectors	<ul style="list-style-type: none"> • ODU Data/Audio, 6-Pin Audio, TNC RF, SMA GPS • 36-Pin Top Connector
Environmental	MIL-STD-810G
Operating Temperature Range	-20°C to +55°C (-4°F to +131°F)
Water Resistant	IP67
Audio Encoding	AMR 5.9, MELPe, AAC Audio
Video Encoding	SD and HD H.264
Waveform	<ul style="list-style-type: none"> • TSM • NB LOS • Katana (optional)
GNSS	GPS, Galileo, GLONASS, BeiDou

Networking Capabilities	
Network Coverage	<ul style="list-style-type: none"> • Mobile Ad Hoc Networking • Multi-hop – Up to 8 Hops • 800 Nodes in a Single Network • Robust in Harsh RF Environments • Up to 32 Mbps
Communication Services	<ul style="list-style-type: none"> • Simultaneous Voice, Data, and PLI • Up to 32 Voice Talk Groups • Built-in or External GPS • IP Support – IPv4, IPv6; Unicast, Multicast, Broadcast; TCP, UDP
Security	<ul style="list-style-type: none"> • AES-256
Application Support	<ul style="list-style-type: none"> • Built-in Web Applications • Over the Air Remote Control • TW Connect • ATAK support • APIs for 3rd Party Integration

Specifications subject to change without notice.



Front View



Top View

When Nothing Else Works

TRELLISWARE.COM

To place an order, please contact your account manager.

For more information, email sales@trellisware.com

Please access the most recent digital version of this datasheet on the TrellisWare Customer Support Site (site registration required).

This TrellisWare product is under the jurisdiction of the Department of Commerce and is subject to Export Administration Regulations (EAR)