

4

3

2

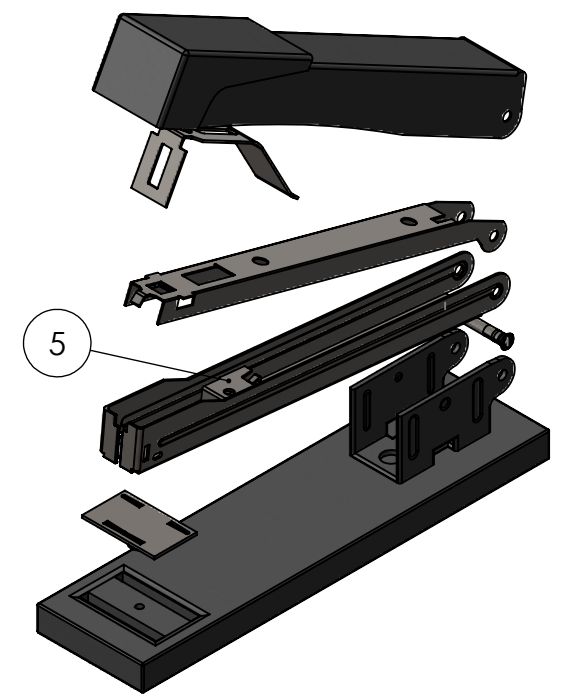
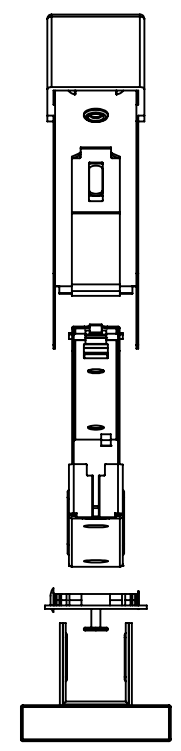
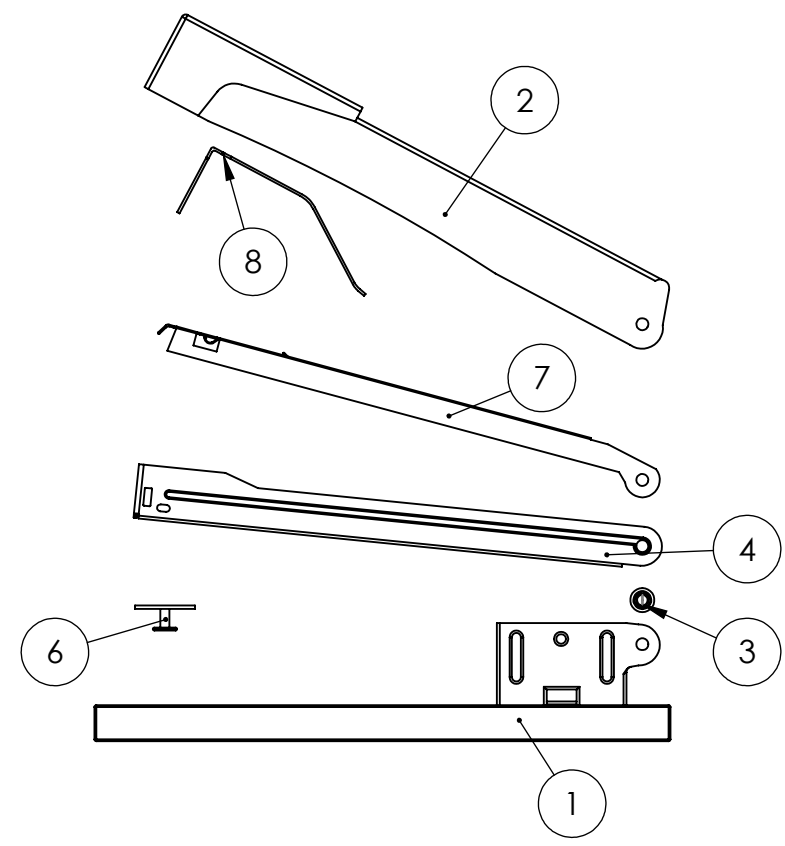
1

B

B

A

A



1: Base	2: Handle	UNLESS OTHERWISE SPECIFIED:	NAME	DATE	TITLE:
3: Bar	4: Magazine		DRAWN		
5: Slider	6: Crimp Plate	CHECKED			
7: Hammer	8: Bent Sheet	ENG APPR.			
		INTERPRET GEOMETRIC TOLERANCING PER:	Q.A.		SIZE DWG. NO. REV
		MATERIAL	COMMENTS:		
NEXT ASSY	USED ON	FINISH			SCALE: 1:2 WEIGHT: SHEET 1 OF 1
APPLICATION		DO NOT SCALE DRAWING			

**PROPRIETARY AND CONFIDENTIAL**  
 THE INFORMATION CONTAINED IN THIS DRAWING IS THE SOLE PROPERTY OF <INSERT COMPANY NAME HERE>. ANY REPRODUCTION IN PART OR AS A WHOLE WITHOUT THE WRITTEN PERMISSION OF <INSERT COMPANY NAME HERE> IS PROHIBITED.

3

2

1