



LOKI

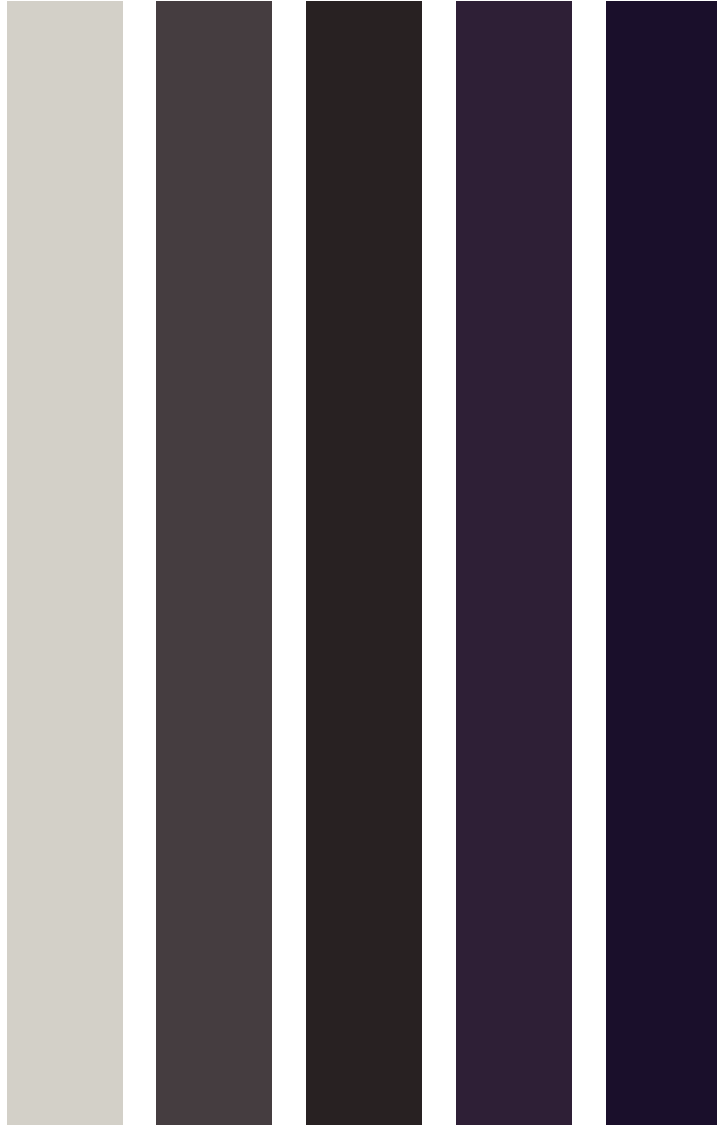
MARVEL

FRANCHISE: MARVEL
PROGRAM: LOKI FASHION
SEASON: Q323



MARVEL

FRANCHISE: MARVEL
PROGRAM: LOKI FASHION
SEASON: Q323



PANTONE
12-4705 TCX

PANTONE
18-0306 TCX

PANTONE
19-0508 TCX

PANTONE
19-3712 TCX

PANTONE
19-3810 TCX



PANTONE
PMS WHITE C



PANTONE
PMS 2017 C



PANTONE
PMS 2253 C



PANTONE
PMS 367 C



PANTONE
PMS 7655 C



PANTONE
PMS 4147 C



FRANCHISE: MARVEL
PROGRAM: LOKI FASHION
SEASON: Q323



STYLE NUMBER: 106Q323U090
STYLE DESCRIPTION: MVL23 AD LOKI POHD
SEASON: Q323



19-3810 TCX

STYLE NUMBER: 106Q323U090
 STYLE DESCRIPTION: MVLV23 AD LOKI POHD
 SEASON: Q323

CATEGORY: MEN
 PROGRAM: LOKI FASHION

CONSTRUCTION CALLOUTS

STYLE SUMMARY:



FIT INTENT:	Standard Fit
DETAILS:	Heavy Weight Fleece PO Mixed Media Art Treatments Kangaroo Front Pocket Custom Label
FABRIC:	Fleece 80/20 Cotton/Poly 2x1 Rib Lining
PLACEMENT:	Main Body Hood Lining Hems
WEIGHT:	240 GSM / 270GSM 175 GSM
SIZING:	Alpha S-3XL
PACKAGE TYPE:	Standard Marvel Hang Tag
MSRP:	\$59.99

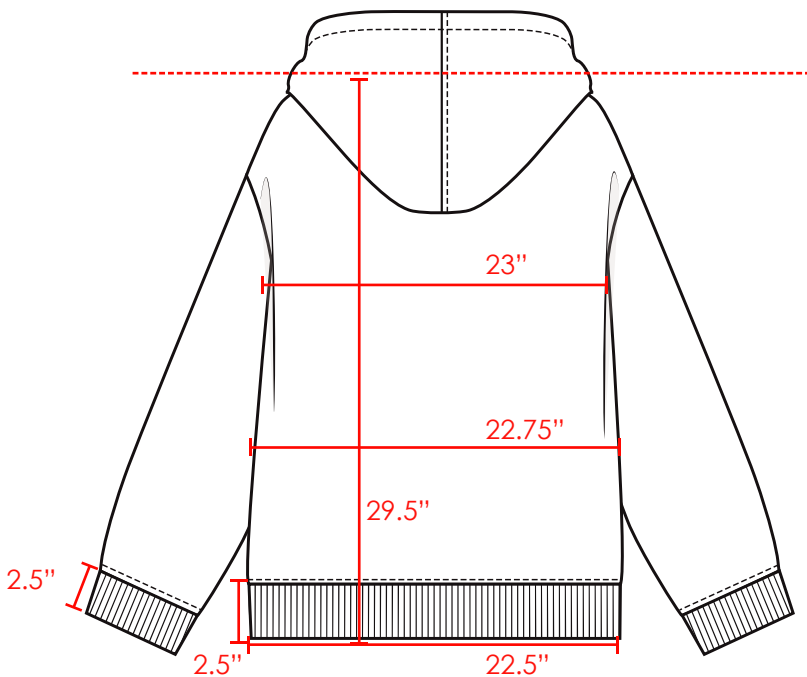
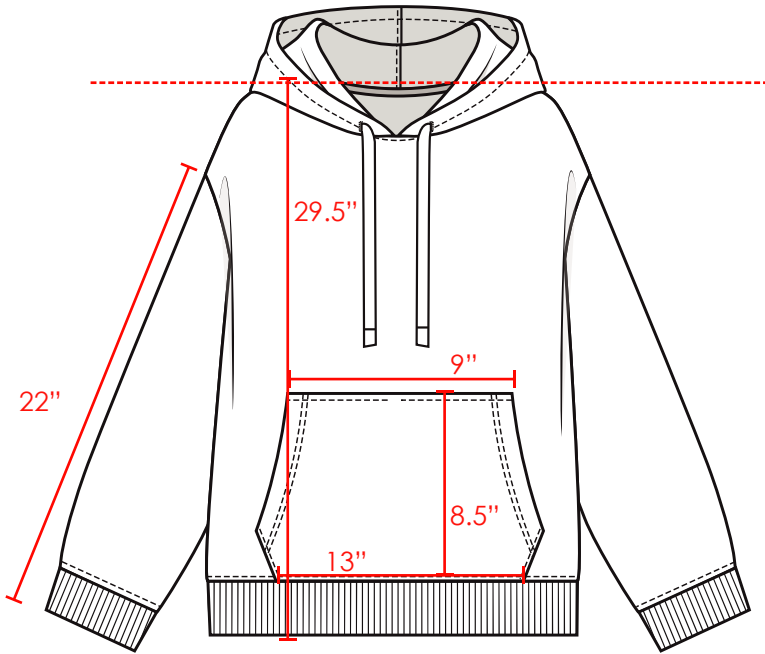
FABRIC SWATCH(ES):

STYLE NUMBER: 106Q323U090
 STYLE DESCRIPTION: MVLV23 AD LOKI POHD
 SEASON: Q323

CATEGORY: MEN
 PROGRAM: LOKI FASHION

SPECIFICATION CALLOUTS

REQUESTED SPEC SUMMARY:



FR BODY LENGTH:	29.5"
BK BODY LENGTH:	29.5"
NECK WIDTH:	8.75"
FRONT NECK DROP:	3.75"
BACK NECK DROP:	.625"
HOOD HEIGHT AT CF:	15"
HOOD HEIGHT AT SIDE:	13.5"
HOOD WIDTH 5" BELOW TOP:	11.5"
SHOULDER WIDTH:	25"
SHOULDER SEAM FORWARD:	.5"
HIGH CHEST:	23.5"
HIGH BACK:	24"
CHEST 1 BELOW AH:	23"
WAIST 15 FM CB NK:	22.75"
BOTTOM OPENING	22.5"
SLEEVE LENGTH:	22"
ARMHOLE ALONG CURVE:	8.5"
BICEP:	8.25"
ELBOW AT 1/2:	7.5"
SLEEVE OPENING	4.5"
SLEEVE CUFF HT:	2.5"
BOTTM HEM HEIGHT	2.5"
DRAWCORD LENGTH - EACH	10"
DRAWCORD WIDTH:	.375"
POCKET WIDTH AT TOP:	9"
POCKET WIDTH AT BTM:	13"
POCKET HEIGHT AT SIDE:	2.75"
POCKET HEIGHT AT CENTER:	8.5"

STYLE NUMBER: 106Q323U090
STYLE DESCRIPTION: MVLF23 AD LOKI POHD
SEASON: Q323

CATEGORY: MEN
PROGRAM: LOKI FASHION

COLOR / PRINT CALLOUTS

FRONT:



3D HD INK

SOFT HAND
SCREEN PRINT W/
PLATISOL

TECHNIQUE SUMMARY:

3D HD INK WITH SOFT HAND SCREEN PRINT
PLACEMENT: FRONT CHEST
DIMENSIONS: TBD ON SAMPLE
ART NOT SHOWN AT 100%
FINAL SCALE TO BE VERIFIED ON FIT SAMPLE

PANTONE
PMS 367 C

PANTONE
PMS WHITE C

FRONT POCKET ART:



TECHNIQUE SUMMARY:

EMBROIDERY
PLACEMENT: POCKET
DIMENSIONS: TBD ON SAMPLE
ART NOT SHOWN AT 100%
FINAL SCALE TO BE VERIFIED ON FIT SAMPLE

PANTONE
PMS 7655 C

STYLE NUMBER: 106Q323U090
STYLE DESCRIPTION: MVLF23 AD LOKI POHD
SEASON: Q323

CATEGORY: MEN
PROGRAM: LOKI FASHION

COLOR / PRINT CALLOUTS

BACK:



3D EMBROIDERY

HD INK

TECHNIQUE SUMMARY:

HD INK WITH EMBROIDERY
PLACEMENT: BACK BODY
DIMENSIONS: TBD ON SAMPLE
ART NOT SHOWN AT 100%

FINAL SCALE TO BE VERIFIED ON FIT SAMPLE

PANTONE
PMS BLACK C

PANTONE
PMS 367 C

STYLE NUMBER: 106Q323U090
STYLE DESCRIPTION: MVLF23 AD LOKI POHD
SEASON: Q323

CATEGORY: MEN
PROGRAM: LOKI FASHION

COLOR / PRINT CALLOUTS

SLEEVE ART:



TECHNIQUE SUMMARY:

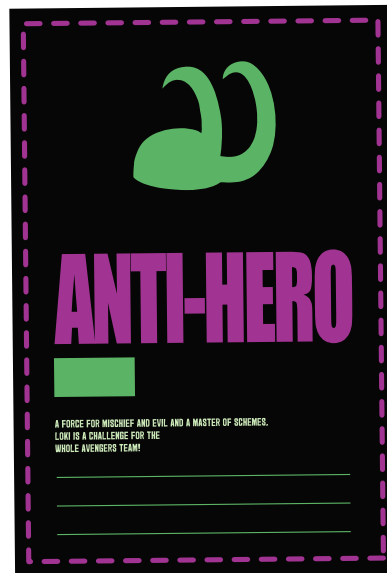
HD INK
PLACEMENT: RIGHT AND LEFT SLEEVE (CENTERED)
DIMENSIONS: TBD ON SAMPLE
ART NOT SHOWN AT 100%
FINAL SCALE TO BE VERIFIED ON FIT SAMPLE

PANTONE
PMS 367 C

PANTONE
PMS 7655 C

PANTONE
PMS WHITE C

LABEL ART:



2 3/4" H

2" W

PANTONE
PMS 367 C

PANTONE
PMS 7655 C

PANTONE
PMS WHITE C

PANTONE
PMS BLACK C

TECHNIQUE SUMMARY:

JACQUARD
PLACEMENT: FRONT WL HEM
DIMENSIONS: 2.25"W X 1.75"HT
ART NOT SHOWN AT 100%
FINAL SCALE TO BE VERIFIED ON FIT SAMPLE