





PANTONE
17-3014 TCX



PANTONE
PMS 4082 C



PANTONE
15-3214 TCX



PANTONE
PMS 2057 C



PANTONE
17-0336 TCX



PANTONE
PMS 576 C



PANTONE
13-0540 TCX



PANTONE
PMS 584 C



PANTONE
16-1338 TCX



PANTONE
PMS 2432 C



PANTONE
14-1316 TCX

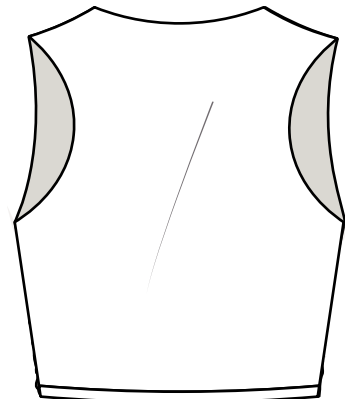
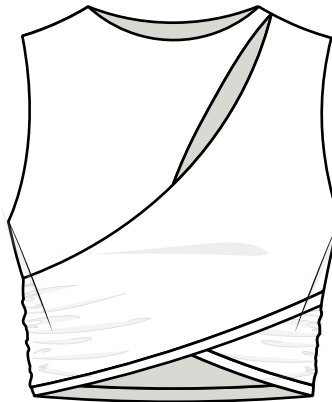


PANTONE
PMS 6023 C

STYLE NUMBER: 92223-01

STYLE DESCRIPTION: LOW IMPACT WRAP SPORTS BRA

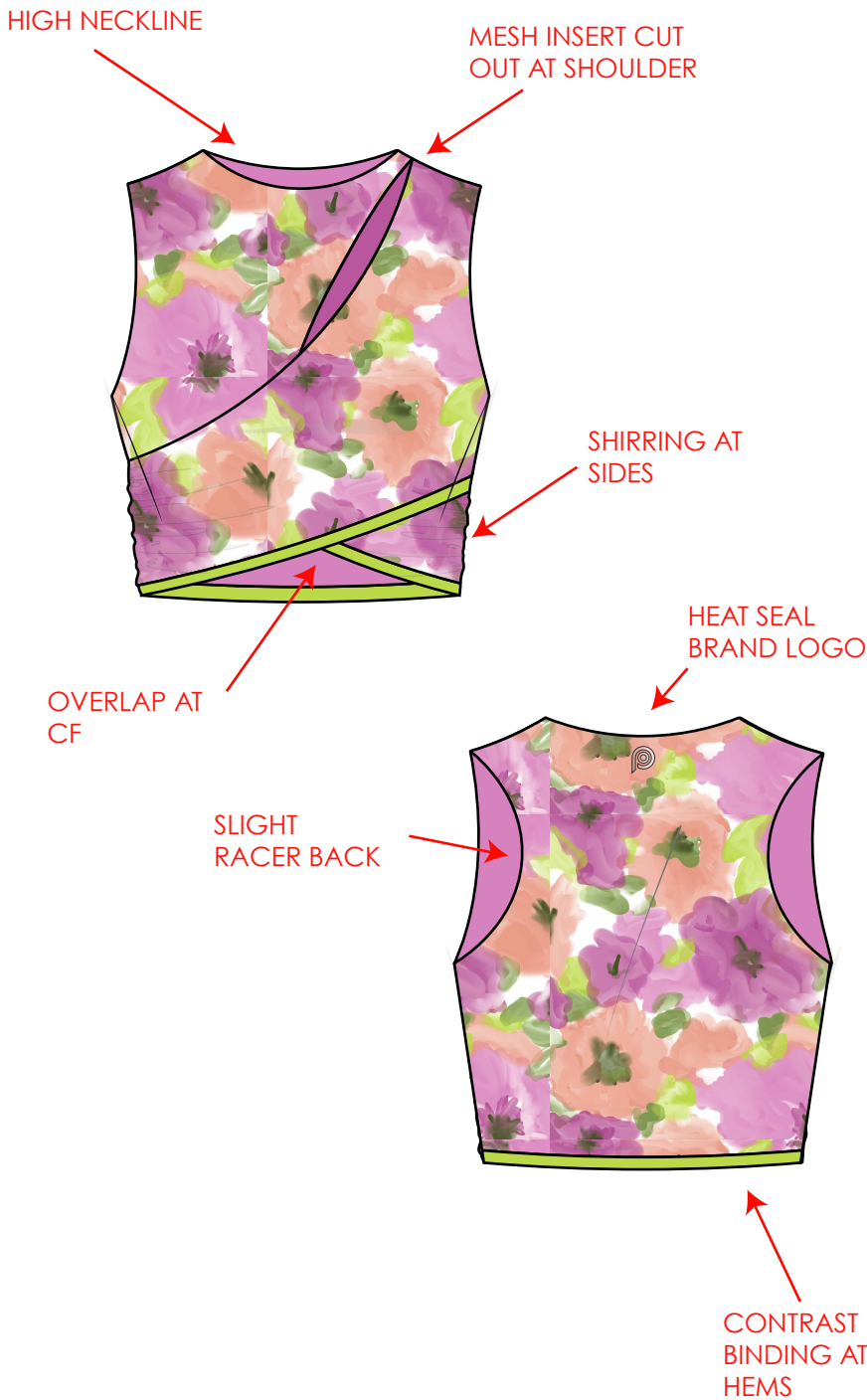
DESIGNER: STEPHENNIE FACTOR



STYLE NUMBER: 92223-01
 STYLE DESCRIPTION: LOW IMPACT WRAP SPORTS BRA
 DESIGNER: STEPHENNIE FACTOR



CONSTRUCTION CALLOUTS



CLEAN FINISHED ALL INTERIOR SEAMS
 2 LAYER IN FRONT BODICE AND BACK BODICE
 HIGH IMPACT FRIENDLY
 REMOVABLE CUPS
 COMPRESSION FABRIC

STYLE SUMMARY:

| | |
|------------------------|--|
| FIT INTENT: | LOW IMPACT LONGLINE LENGTH FITTED |
| DETAILS: | FRONT OVERLAP WRAP DETAIL MESH INSERT AT FRONT CONTRAST BINDING ALONG FRONT AND BACK HEM SIDE SHIRRING |
| FABRIC: | CONTENDER LUX/INTERLOCK (85% POLYESTER, 15% SPANDEX) HEAVY WEIGHT POWERMESH (92% NYLON, 8% SPANDEX) |
| PLACEMENT: | ALL OVER PRINT |
| SIZING: | ALPHA (XXS-5XL) |
| PACKAGE TYPE: | STANDARD BRANDED LOGO |
| SHIPPING INSTRUCTIONS: | RECYCLABLE POLYBAG |
| MSRP: | \$54.50 |

REFERENCE IMAGE(S):



STYLE NUMBER: 92223-01
STYLE DESCRIPTION: LOW IMPACT WRAP SPORTS BRA
DESIGNER: STEPHENNIE FACTOR

CATEGORY: ACTIVE TOP
SEASON: SPRING 2024
DELIVERY: MARCH WK3



COLOR / PRINT CALLOUTS

TECHNIQUE SUMMARY:

ALL OVER PRINT - SOFT HAND WET PRINT
PLACEMENT: MAIN BODY
REPEAT DIMENSIONS: 8.125"W X 8.125"H
PATTERN NOT SHOWN AT 100%
FINAL SCALE TO BE VERIFIED ON FIT SAMPLE



8.125" H

8.125" W

COLOR CALLOUTS:

PANTONE
PMS 4082 C

PANTONE
PMS 2057 C

PANTONE
PMS 576 C

PANTONE
PMS 584 C

PANTONE
PMS 6023 C

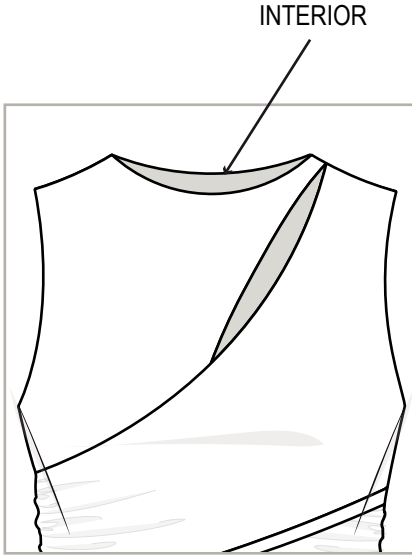
STYLE NUMBER: 92223-01
STYLE DESCRIPTION: LOW IMPACT WRAP SPORTS BRA
DESIGNER: STEPHENNIE FACTOR

CATEGORY: ACTIVE TOP
SEASON: SPRING 2024
DELIVERY: MARCH WK3



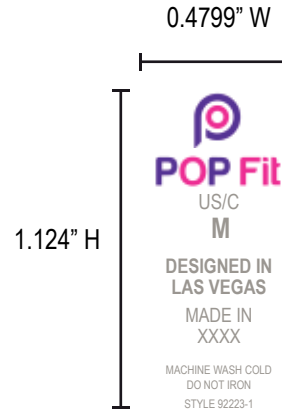
LABEL CALLOUTS

INTERIOR LABEL:



TECHNIQUE SUMMARY:

HEAT SEAL LABEL
PLACEMENT: INTERIOR CENTER BACK
APPROX. DIMENSIONS: 0.4799"W X 1.124"H
PATTERN NOT SHOWN AT 100% (ENLARGED FOR REFERENCE)
FINAL SCALE TO BE VERIFIED ON FIT SAMPLE



PANTONE
PMS 2096 C

PANTONE
PMS 2450 C

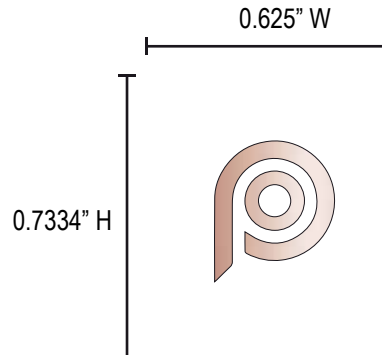
PANTONE
PMS COOL GRAY 6 C

LOGO:



TECHNIQUE SUMMARY:

HEAT SEAL FOIL PRINT
PLACEMENT: CENTER BACK NECK
APPROX. DIMENSIONS: 0.625"W X 0.7334"H
PATTERN NOT SHOWN AT 100% (ENLARGED FOR REFERENCE)
FINAL SCALE TO BE VERIFIED ON FIT SAMPLE

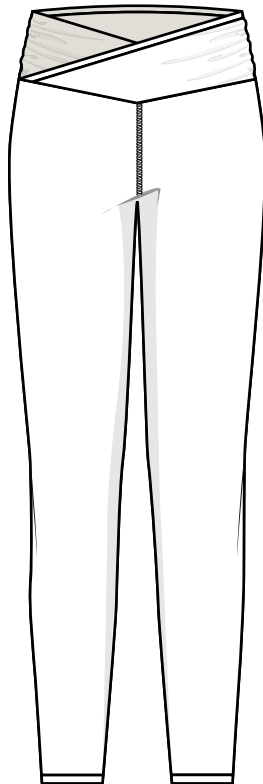


PANTONE
ROSE GOLD

STYLE NUMBER: 92223-02

STYLE DESCRIPTION: HIGH RISE WRAP LEGGING

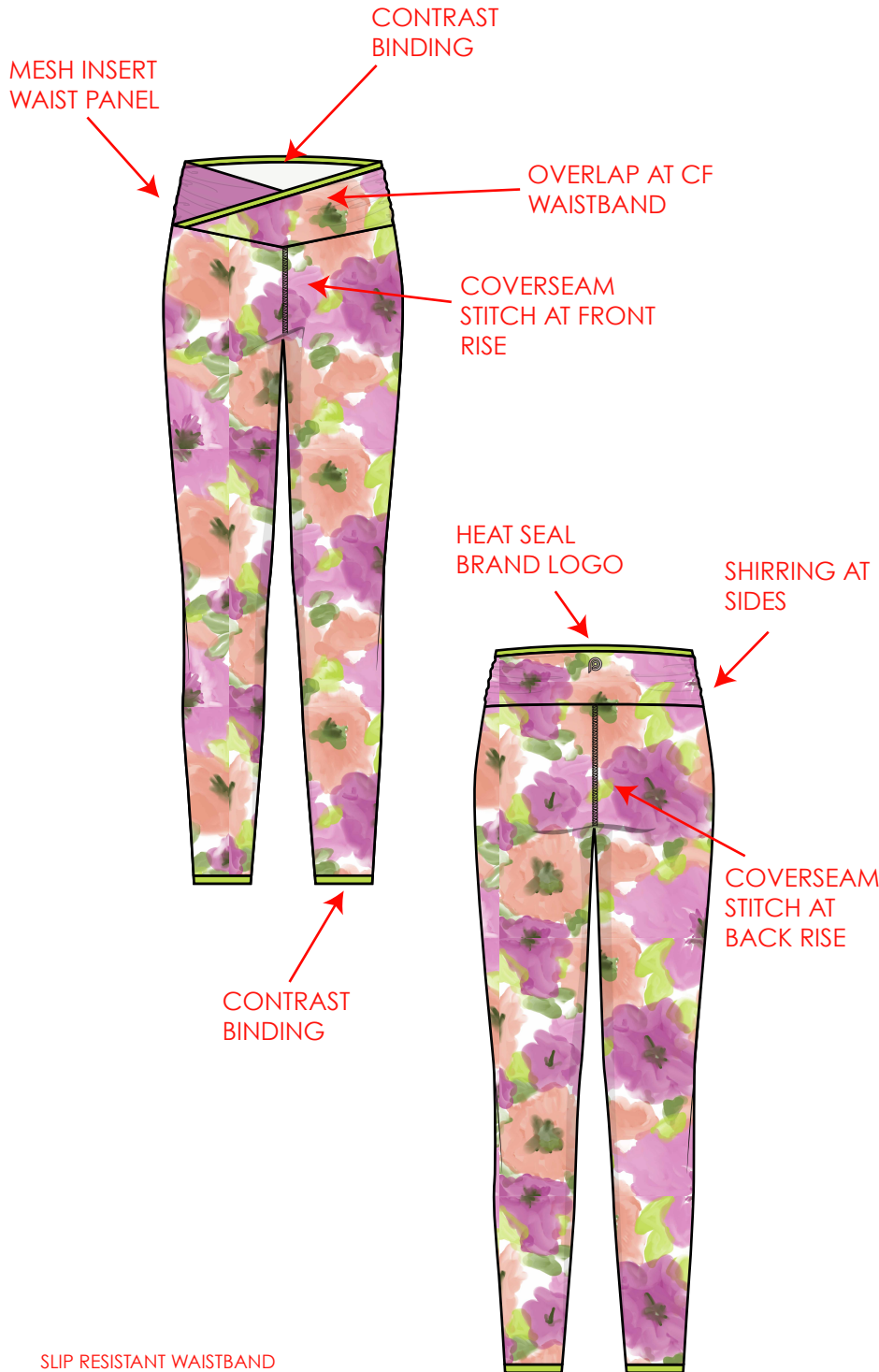
DESIGNER: STEPHENNIE FACTOR



STYLE NUMBER: 92223-02
 STYLE DESCRIPTION: HIGH RISE WRAP LEGGING
 DESIGNER: STEPHENNIE FACTOR



CONSTRUCTION CALLOUTS



- SLIP RESISTANT WAISTBAND
- COMPRESSION FOR OPTIMAL MUSCLE RECOVERY
- SMOOTHS AND SCULPTS BODY
- ANKLE LENGTH INSEAM
- BUILT IN TUMMY CONTROL

STYLE SUMMARY:

| | |
|------------------------|--|
| FIT INTENT: | FITTED FULL LENGTH INSEAM HIGH RISE |
| DETAILS: | SHIRRING AT WAISTBAND SIDES OVERLAP AT FRONT WAIST MESH WAIST PANEL CONTRAST BINDING |
| FABRIC: | CONTENDER LUX/INTERLOCK (85% POLYESTER, 15% SPANDEX) HEAVY WEIGHT POWERMESH (92% NYLON, 8% SPANDEX) |
| PLACEMENT: | ALL OVER PRINT AT FRONT BODY, BACK BODY WAISTBAND |
| SIZING: | ALPHA (XXS-5XL) |
| PACKAGE TYPE: | STANDARD BRANDED LOGO |
| SHIPPING INSTRUCTIONS: | RECYCLABLE POLYBAG |
| MSRP: | \$59.50 |

REFERENCE IMAGE(S):

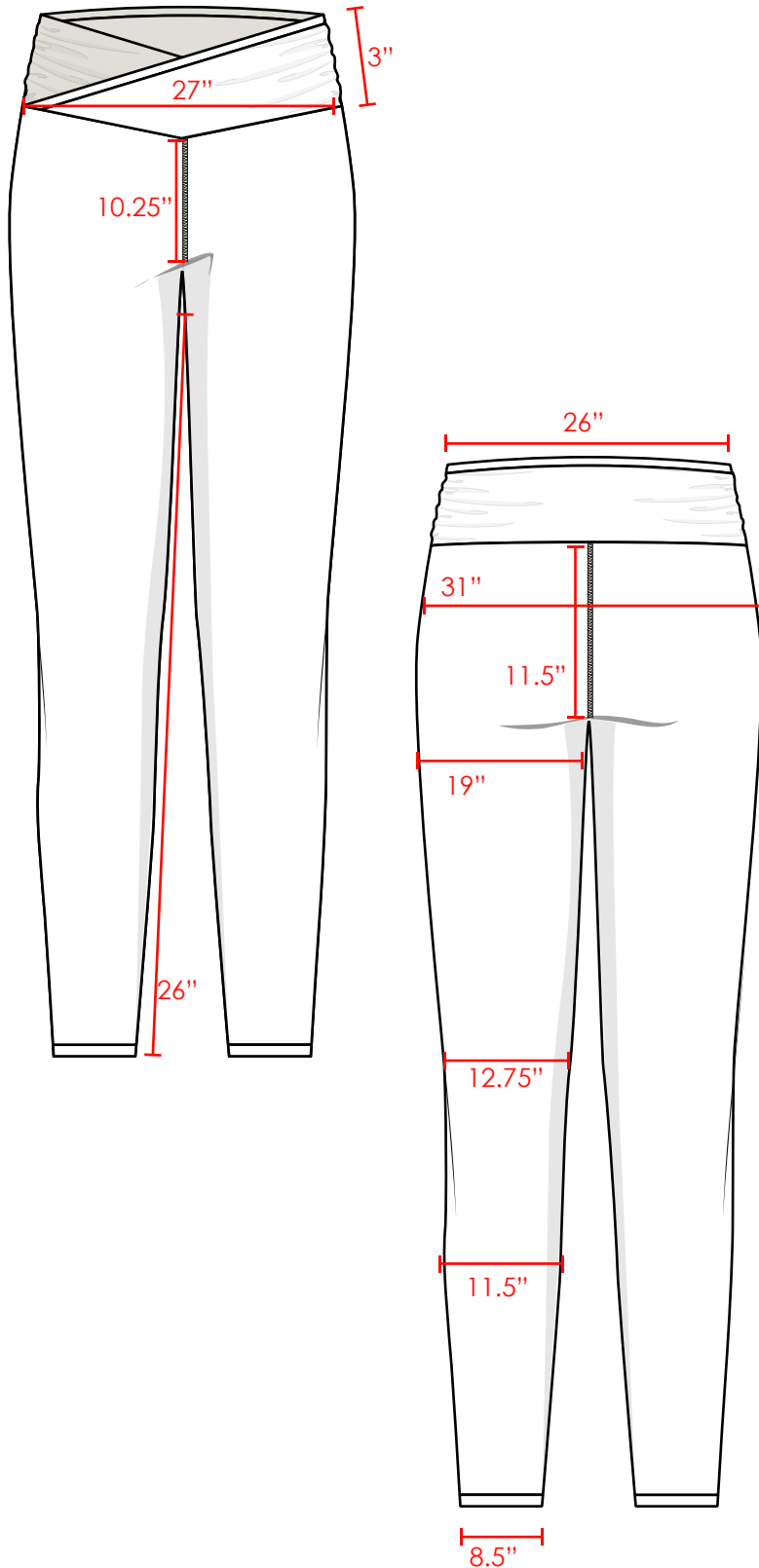


STYLE NUMBER: 92223-02
 STYLE DESCRIPTION: HIGH RISE WRAP LEGGING
 DESIGNER: STEPHENNIE FACTOR



CONSTRUCTION CALLOUTS

**MEASUREMENTS ARE IN CIRCUMFERENCE



REQUESTED SPEC SUMMARY: SIZE M

| | |
|------------------------------|--------|
| WAIST CIRC. RELAXED: | 26" |
| WAIST CIRC. MIN. EXT: | 40" |
| WAISTBAND SEAM CIRC.: | 28.5" |
| HIGH HIP PLACEMENT: | 7" |
| HIGH HIP CIRC. (3PT): | 31" |
| LEG INSEAM LENGTH: | 26" |
| WAIST BAND HEIGHT (AT CF): | 3" |
| WAIST BAND HEIGHT (AT CB): | 3" |
| FRONT RISE (ALONG SEAM): | 10.25" |
| BACK RISE (ALONG SEAM): | 11.5" |
| THIGH CIRC. (1' BLW CROTCH): | 19" |
| KNEE PLACEMENT: | 12.5" |
| KNEE CIRC.: | 12.75" |
| CALF PLACEMENT: | 8" |
| CALF CIRC.: | 11.5" |
| LEG OPENING CIRC.: | 8.25" |
| GUSSET WIDTH: | 2" |
| GUSSEST LENGTH: | 2.75" |
| BINDING HEIGHT: | .375" |

STYLE NUMBER: 92223-02
STYLE DESCRIPTION: HIGH RISE WRAP LEGGING
DESIGNER: STEPHENNIE FACTOR

CATEGORY: ACTIVE BOTTOM
SEASON: SPRING 2024
DELIVERY: MARCH WK3



COLOR / PRINT CALLOUTS

TECHNIQUE SUMMARY:

ALL OVER PRINT - SOFT HAND WET PRINT
PLACEMENT: MAIN BODY
REPEAT DIMENSIONS: 8.125"W X 8.125"H
PATTERN NOT SHOWN AT 100%
FINAL SCALE TO BE VERIFIED ON FIT SAMPLE



8.125" H

8.125" W

COLOR CALLOUTS:

PANTONE
PMS 4082 C

PANTONE
PMS 2057 C

PANTONE
PMS 576 C

PANTONE
PMS 584 C

PANTONE
PMS 6023 C

STYLE NUMBER: 92223-02
STYLE DESCRIPTION: HIGH RISE WRAP LEGGING
DESIGNER: STEPHENNIE FACTOR

CATEGORY: ACTIVE BOTTOM
SEASON: SPRING 2024
DELIVERY: MARCH WK3

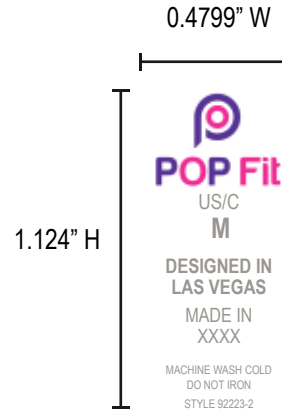
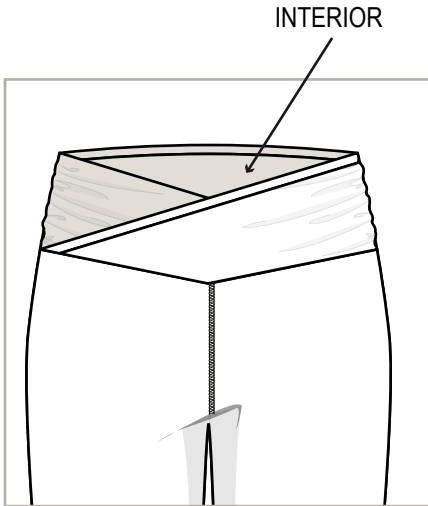


LABEL CALLOUTS

INTERIOR LABEL:

TECHNIQUE SUMMARY:

HEAT SEAL LABEL
PLACEMENT: INTERIOR CENTER BACK
APPROX. DIMENSIONS: 0.4799"W X 1.124"H
PATTERN NOT SHOWN AT 100% (ENLARGED FOR REFERENCE)
FINAL SCALE TO BE VERIFIED ON FIT SAMPLE



PANTONE
PMS 2096 C

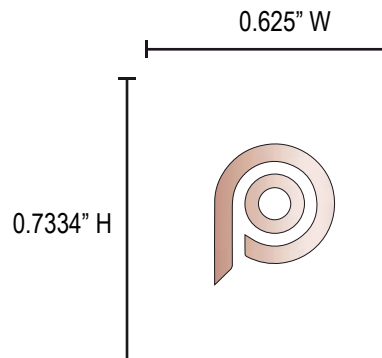
PANTONE
PMS 2450 C

PANTONE
PMS COOL GRAY 6 C

LOGO:

TECHNIQUE SUMMARY:

HEAT SEAL FOIL PRINT
PLACEMENT: BACK WAIST BAND
APPROX. DIMENSIONS: 0.625"W X 0.7334"H
PATTERN NOT SHOWN AT 100% (ENLARGED FOR REFERENCE)
FINAL SCALE TO BE VERIFIED ON FIT SAMPLE

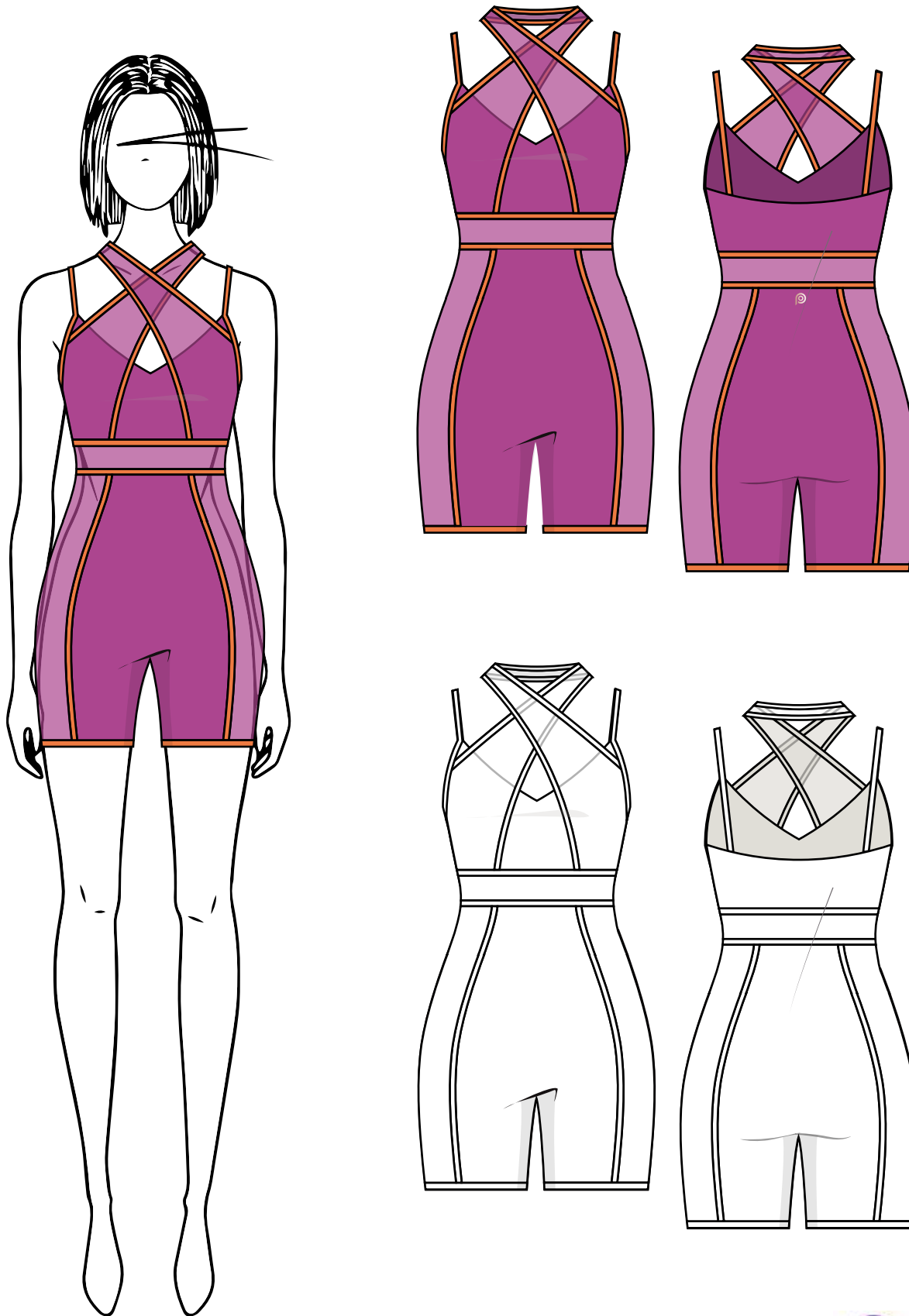


PANTONE
ROSE GOLD

STYLE NUMBER: 92223-03

STYLE DESCRIPTION: HIGH IMPACT BODY SUIT

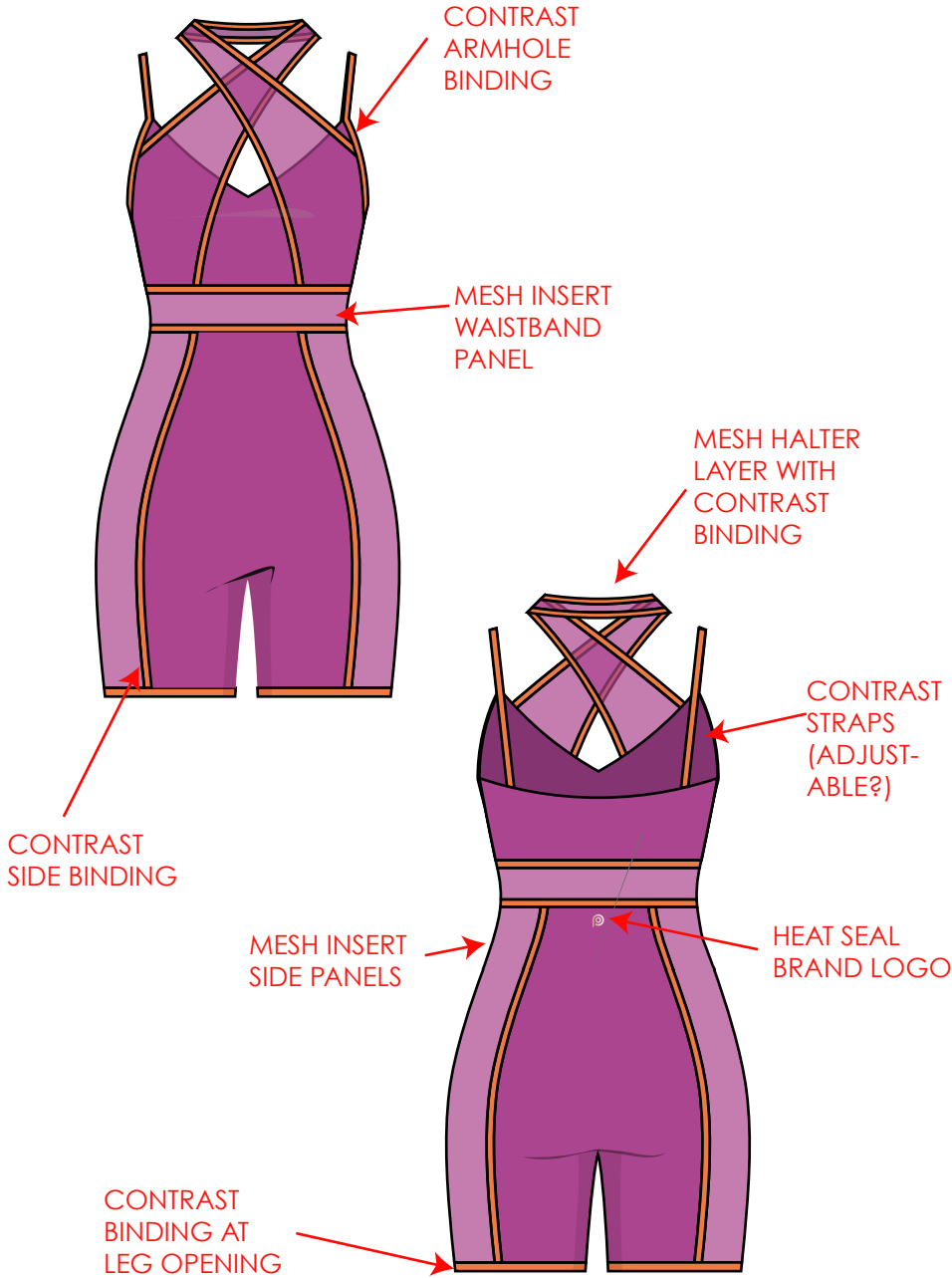
DESIGNER: STEPHENNIE FACTOR



STYLE NUMBER: 92223-03
 STYLE DESCRIPTION: HIGH IMPACT ONE PIECE FIT
 DESIGNER: STEPHENNIE FACTOR



CONSTRUCTION CALLOUTS



- COMPRESSION FOR OPTIMAL MUSCLE RECOVERY
- 2 LAYER FRONT BODICE AND BACK BODICE
- CLEAN FINISHED ALL INTERIOR SEAMS WITH BINDING OR COVERSEAMS
- PROPOSING ADJUSTABLE STRAPS
- NO POCKETS
- BUILT IN TUMMY CONTROL

STYLE SUMMARY:

| | |
|------------------------|--|
| FIT INTENT: | FITTED 7" INSEAM LENGTH |
| DETAILS: | MESH HALTER LAYER MESH SIDE INSERTS MESH INSERT WAISTBAND CONTRAST BINDING |
| FABRIC: | CONTENDER LUX/INTERLOCK (85% POLYESTER, 15% SPANDEX) HEAVY WEIGHT POWERMESH (92% NYLON, 8% SPANDEX) |
| PLACEMENT: | NO PRINT |
| SIZING: | ALPHA (XXS-5XL) |
| PACKAGE TYPE: | STANDARD BRANDED LOGO |
| SHIPPING INSTRUCTIONS: | RECYCLABLE POLYBAG |
| MSRP: | \$59.50 |

REFERENCE IMAGE(S):

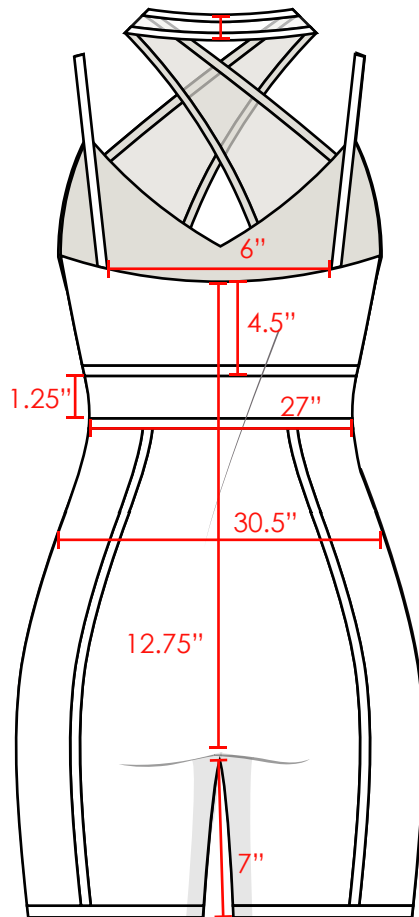
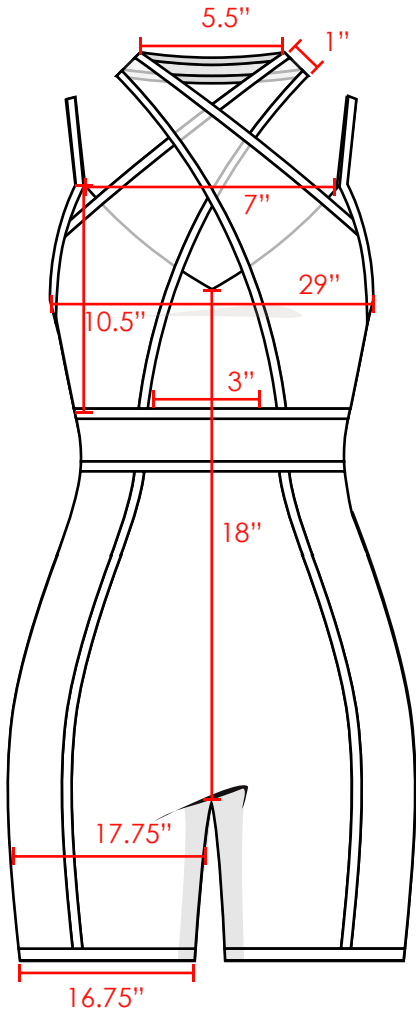


STYLE NUMBER: 92223-03
 STYLE DESCRIPTION: HIGH IMPACT ONE PIECE FIT
 DESIGNER: STEPHENNIE FACTOR



CONSTRUCTION CALLOUTS

**MEASUREMENTS ARE IN CIRCUMFERENCE



REQUESTED SPEC SUMMARY: SIZE M

| | |
|-----------------------------------|-------|
| FR BODICE HEIGHT (HPN TO SM): | 10.5" |
| CB BODICE HEIGHT (CB TO SM): | 4.5" |
| DISTANCE BETWEEN FR STRAPS: | 7" |
| DISTANCE BETWEEN BK STRAPS: | 6" |
| FR NECK DROP (FM HPN): | 3.25" |
| HALTER NECK WIDTH: | 5.5" |
| HALTER STRAP WIDTH (AT NK): | 1" |
| HALTER STRAP WIDTH (AT WAIST): | 2.75" |
| DISTANCE BETWEEN MESH (AT WAIST): | 3" |
| FR ARMHOLE CURVE: | 4.75" |
| WAIST BAND HEIGHT: | 1.25" |

| | |
|-------------------------|-------|
| CHEST CIRC. (AH TO AH): | 29" |
| WAIST CIRC.: | 27" |
| HIGH HIP PLACEMENT: | 7" |
| HIGH HIP CIRC. (3PT): | 30.5" |
| LEG INSEAM LENGTH: | 7" |

| | |
|--------------------------------------|--------|
| CF LENGTH (FRM NECK EDGE TO CROTCH): | 18" |
| CB LENGTH (FRM NECK EDGE TO CROTCH): | 12.75" |

| | |
|------------------------------|--------|
| THIGH CIRC. (1" BLW CROTCH): | 17.75" |
| LEG OPENING CIRC.: | 16.75" |
| GUSSET WIDTH: | 2" |
| GUSSEST LENGTH: | 2.75" |

| | |
|----------------------------|--------|
| BINDING HEIGHT: | .375" |
| SIDE LEG MESH PANEL WIDTH: | 3" |
| SHOULDER STRAP LENGTH: | 10.75" |

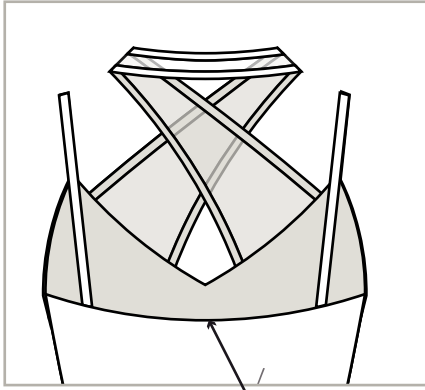
STYLE NUMBER: 92223-03
STYLE DESCRIPTION: HIGH IMPACT BODY SUIT
DESIGNER: STEPHENNIE FACTOR

CATEGORY: ACTIVE BODY SUIT
SEASON: SPRING 2024
DELIVERY: MARCH WK3



LABEL CALLOUTS

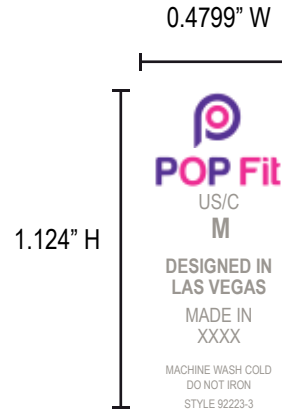
INTERIOR LABEL:



INTERIOR

TECHNIQUE SUMMARY:

HEAT SEAL LABEL
PLACEMENT: INTERIOR CENTER BACK
APPROX. DIMENSIONS: 0.4799"W X 1.124"H
PATTERN NOT SHOWN AT 100% (ENLARGED FOR REFERENCE)
FINAL SCALE TO BE VERIFIED ON FIT SAMPLE

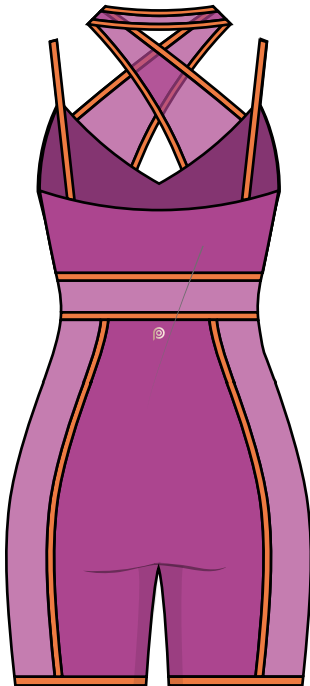


PANTONE
PMS 2096 C

PANTONE
PMS 2450 C

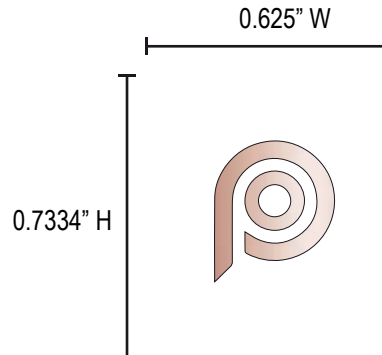
PANTONE
PMS COOL GRAY 6 C

LOGO:



TECHNIQUE SUMMARY:

HEAT SEAL FOIL PRINT
PLACEMENT: BACK WAIST BAND
APPROX. DIMENSIONS: 0.625"W X 0.7334"H
PATTERN NOT SHOWN AT 100% (ENLARGED FOR REFERENCE)
FINAL SCALE TO BE VERIFIED ON FIT SAMPLE

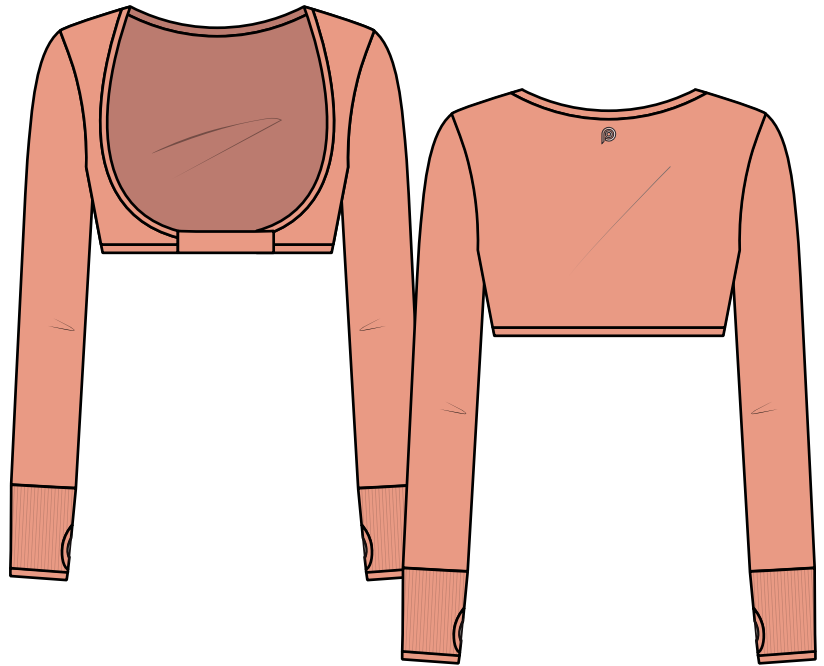
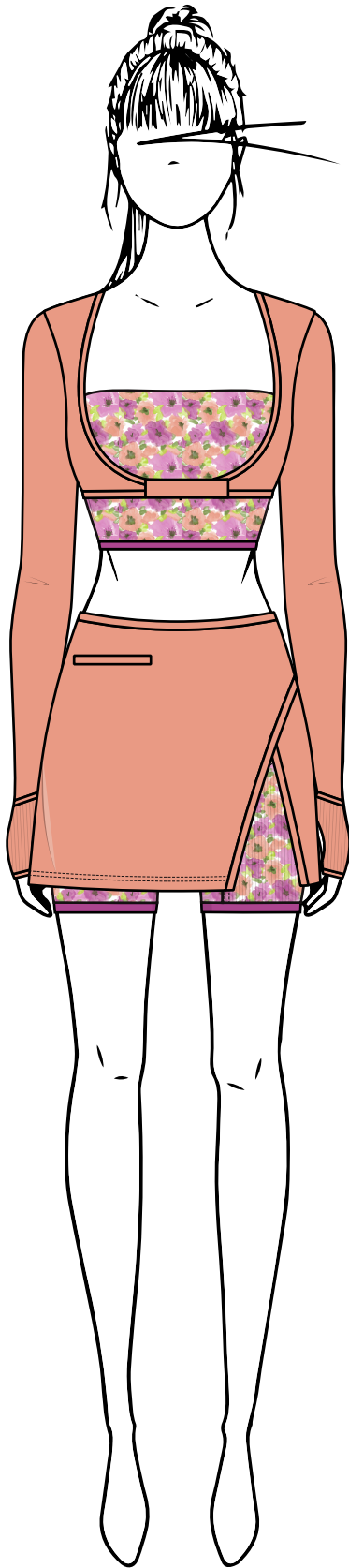


PANTONE
ROSE GOLD

STYLE NUMBER: 92223-04

STYLE DESCRIPTION: LOW IMPACT LS COVER UP

DESIGNER: STEPHENNIE FACTOR

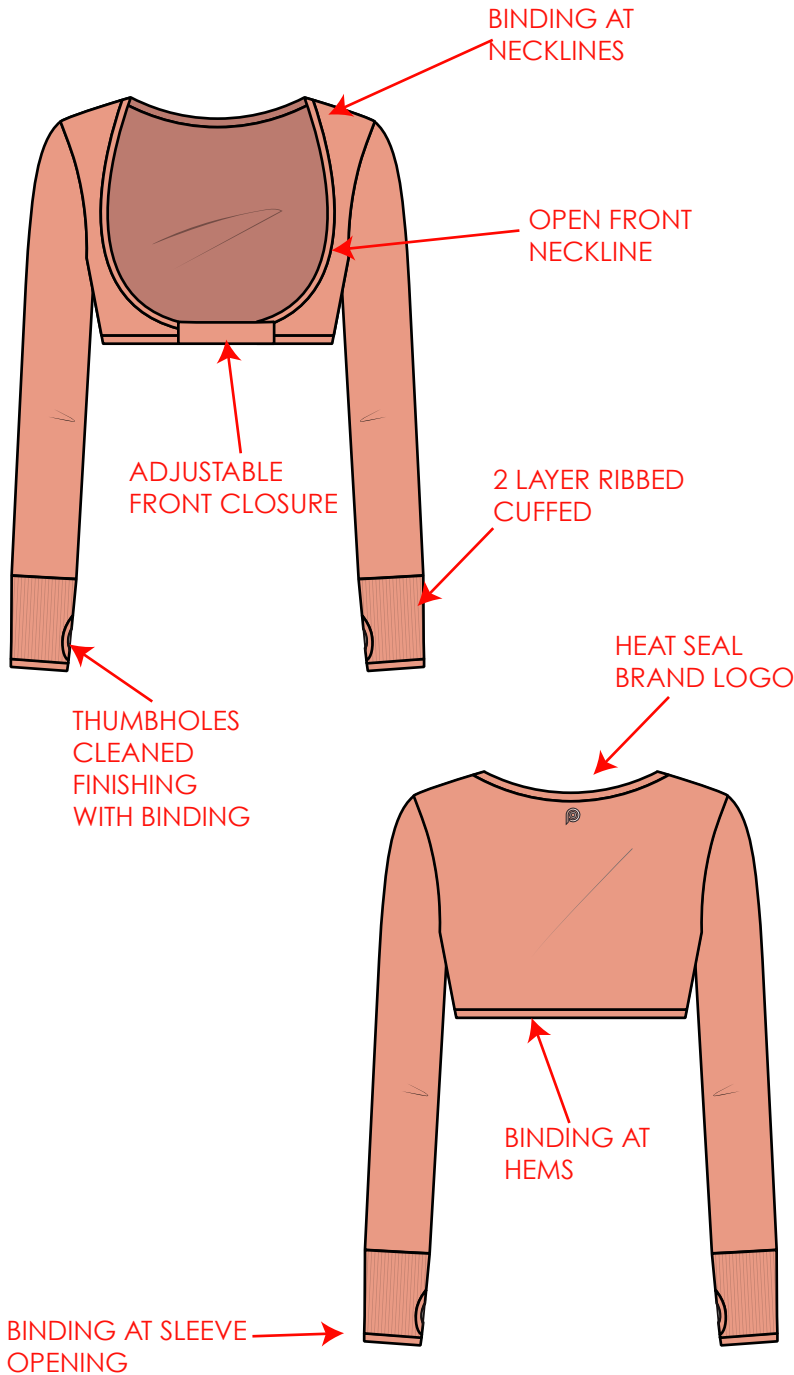


STYLE NUMBER: 92223-04
 STYLE DESCRIPTION: LOW IMPACT LS COVER UP
 DESIGNER: STEPHENNIE FACTOR



CONSTRUCTION CALLOUTS

STYLE SUMMARY:



FIT INTENT:

FITTED
 CROPPED LENGTH
 LONG SLEEVES

DETAILS:

FRONT CLOSURE COVER UP
 LONG SLEEVE
 RIBBED CUFFS
 THUMB HOLE
 BINDING

FABRIC:

CONTENDER LUX/INTERLOCK
 (85% POLYESTER, 15% SPANDEX)
 HEAVY WEIGHT POWERMESH
 (92% NYLON, 8% SPANDEX)
 1X1 PERFORMANCE RIB
 (94% POLYESTR, 6% SPANDEX)

PLACEMENT:

NO PRINT

SIZING:

ALPHA
 (XXS-5XL)

PACKAGE TYPE:

STANDARD
 BRANDED LOGO

SHIPPING INSTRUCTIONS:

RECYCLABLE POLYBAG

MSRP:

\$54.50

REFERENCE IMAGE(S):



HIGH IMPACT FRIENDLY

CLEAN FINISH ALL INTERIOR SEAMS WITH COVERSEAMS

2 LAYER RIBBED CUFF

THUMBHOLE CLEAN FINISHED WITH BINDING

ADJUSTABLE FRONT CLOSURE - SEE REFERENCE IMAGE IN BOMS

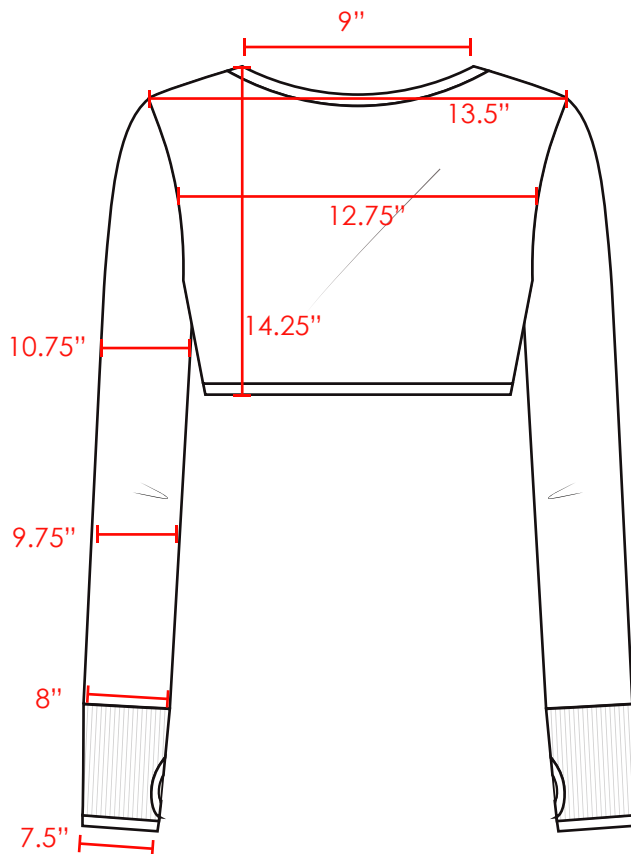
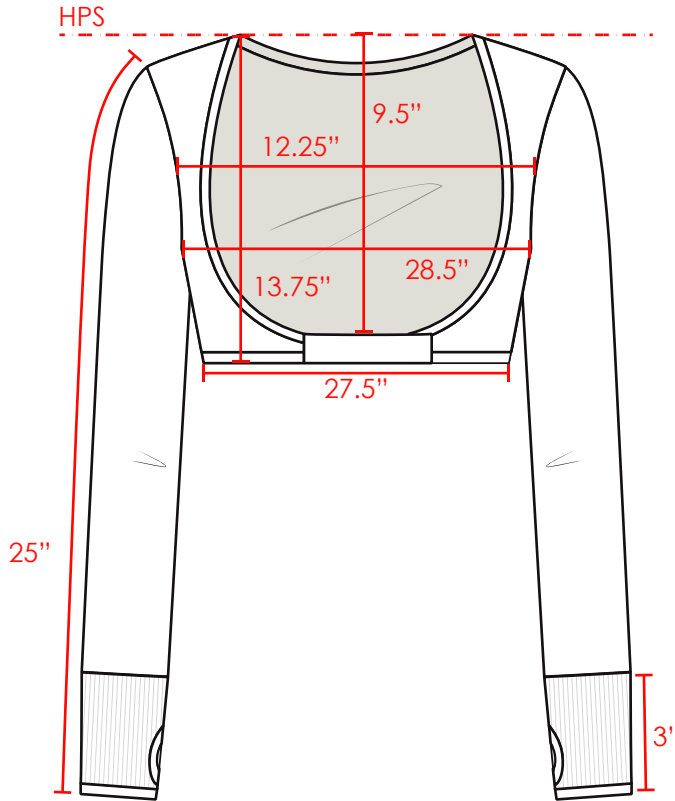
STYLE NUMBER: 92223-04
 STYLE DESCRIPTION: LOW IMPACT LS COVER UP
 DESIGNER: STEPHENNIE FACTOR



CONSTRUCTION CALLOUTS

REQUESTED SPEC SUMMARY: SIZE M

**MEASUREMENTS ARE IN CIRCUMFERENCE



| | |
|-----------------------------|--------|
| FRONT BODY LENGTH: | 13.75" |
| BACK BODY LENGTH: | 14.25" |
| NECK WIDTH (EDGE TO EDGE): | 9" |
| FRONT NECK DROP: | 9.5" |
| BACK NECK DROP: | 0.875" |
| SHOULDER WIDTH: | 13.5" |
| ACROSS FRONT: | 12.25" |
| ACROSS BACK: | 12.75" |
| CHEST CIRC. (AH TO AH): | 28.5" |
| BOTTOM OPENING CIRC.: | 27.5" |
| ARMHOLE STRAIGHT: | 8.25" |
| BICEP CIR.: | 10.75" |
| ELBOW CIRC. (HALF WAY): | 9.75" |
| SLEEVE OPENING (AT RIB SM): | 8" |
| SLEEVE OPENING (AT EDGE): | 7.5" |
| SLEEVE LENGTH: | 25" |
| CUFF HEIGHT: | 3" |
| THUMBHOLE OPENING: | 1.375" |
| BINDING HEIGHT: | 0.375" |
| ADJUSTER WIDTH: | 3.25" |
| ADJUSTER HEIGHT: | 0.875" |

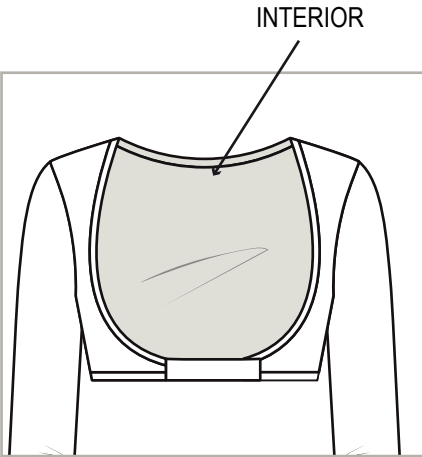
STYLE NUMBER: 92223-04
STYLE DESCRIPTION: LOW IMPACT LS COVER UP
DESIGNER: STEPHENNIE FACTOR

CATEGORY: ACTIVE TOP
SEASON: SPRING 2024
DELIVERY: MARCH WK3



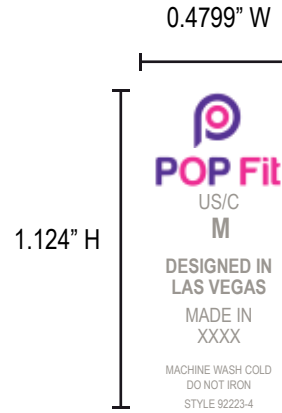
LABEL CALLOUTS

INTERIOR LABEL:



TECHNIQUE SUMMARY:

HEAT SEAL LABEL
PLACEMENT: INTERIOR CENTER BACK
APPROX. DIMENSIONS: 0.4799"W X 1.124"H
PATTERN NOT SHOWN AT 100% (ENLARGED FOR REFERENCE)
FINAL SCALE TO BE VERIFIED ON FIT SAMPLE

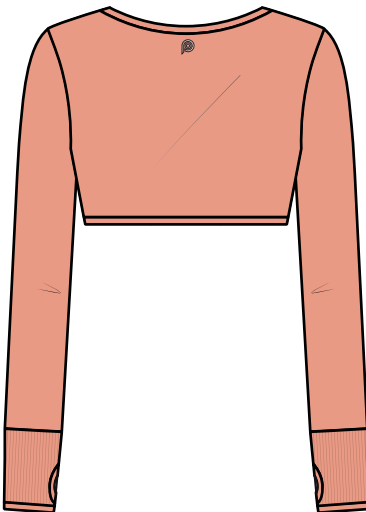


PANTONE
PMS 2096 C

PANTONE
PMS 2450 C

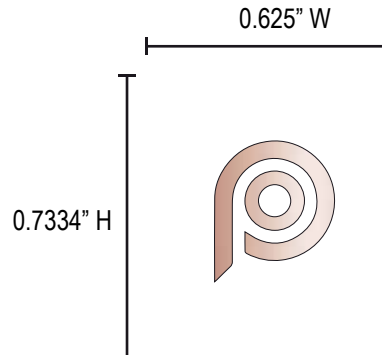
PANTONE
PMS COOL GRAY 6 C

LOGO:



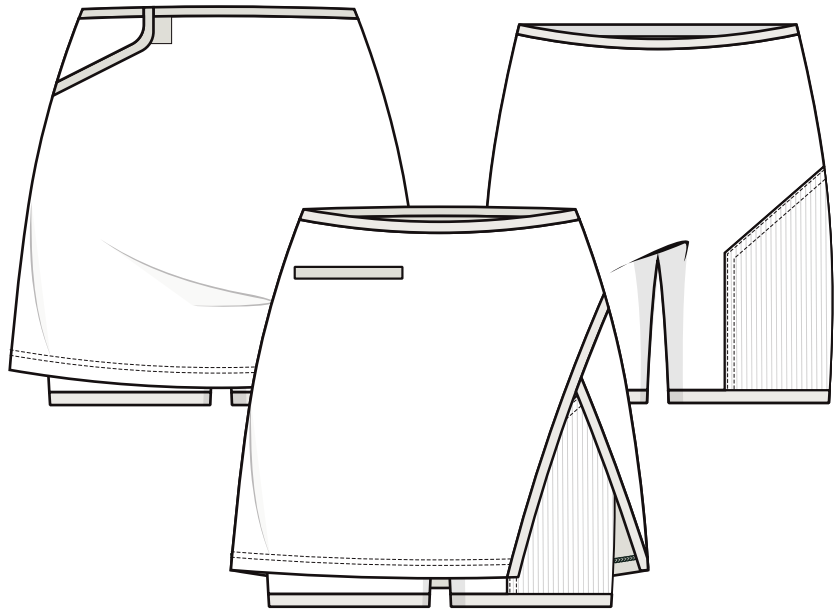
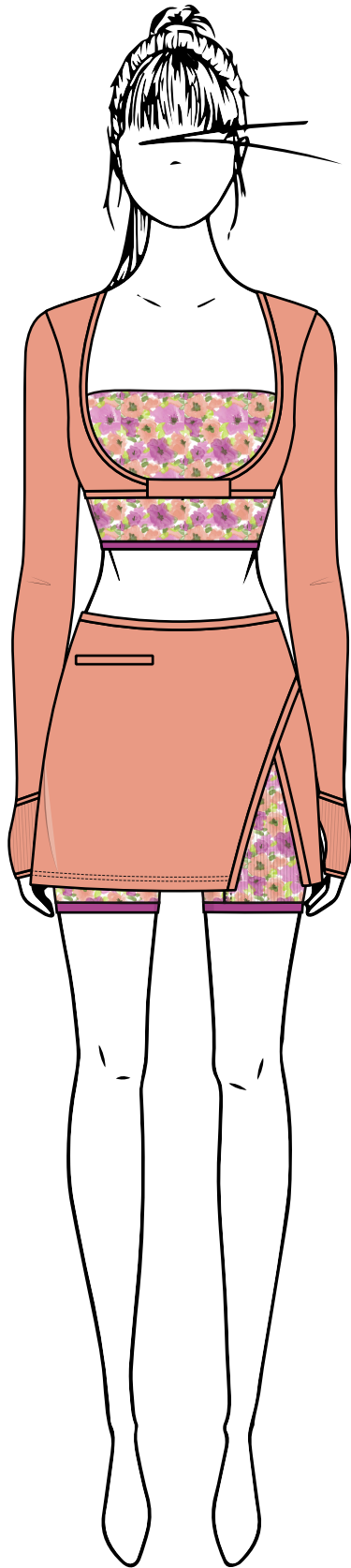
TECHNIQUE SUMMARY:

HEAT SEAL FOIL PRINT
PLACEMENT: CENTER BACK NECK
APPROX. DIMENSIONS: 0.625"W X 0.7334"H
PATTERN NOT SHOWN AT 100% (ENLARGED FOR REFERENCE)
FINAL SCALE TO BE VERIFIED ON FIT SAMPLE



PANTONE
ROSE GOLD

STYLE NUMBER: 92223-05
STYLE DESCRIPTION: VERSATILE SKORT
DESIGNER: STEPHENNIE FACTOR



STYLE NUMBER: 92223-05
 STYLE DESCRIPTION: VERSATILE SKORT
 DESIGNER: STEPHENNIE FACTOR



CONSTRUCTION CALLOUTS

STYLE SUMMARY:

FRONT WELT POCKET

SIDE WRAP CLOSURE

CONTRAST BINDING AT SHORT WAIST

CONTRAST BINDING AT LEG OPENING

AOP

ADJUSTABLE CLOSURE

BOTTOM POCKET OPENING (FOR TENNIS BALLS)

HEAT SEAL BRAND LOGO

FIT INTENT:

SLIGHT A-LINE
 FITTED INTERIOR SHORT

DETAILS:

REMOVABLE SKIRT
 ADJUSTABLE WAIST FASTENER
 FRONT WELT POCKET
 SHORT POCKET
 CONTRAST BINDING
 AOP INTERIOR SHORT

FABRIC:

CONTENDER LUX/INTERLOCK (85% POLYESTER, 15% SPANDEX)
 HEAVY WEIGHT POWERMESH (92% NYLON, 8% SPANDEX)
 1X1 PERFORMANCE RIB (94% POLYESTER, 6% SPANDEX)

PLACEMENT:

AOP AT SHORT ONLY

SIZING:

ALPHA (XXS-5XL)

PACKAGE TYPE:

STANDARD
 BRANDED LOGO

SHIPPING INSTRUCTIONS:

RECYCLABLE POLYBAG

MSRP:

\$59.50

REFERENCE IMAGE(S):



HIGH IMPACT FRIENDLY

BUILT IN TUMMY CONTROL IN SHORT

ADJUSTABLE WAIST CLOSURE - SEE REFERENCE IMAGE IN BOMS

ALL INTERIOR SEAMS CLEAN FINISHED WITH COVERSEAMS

SHORT POCKET - BOTTOM OPENING

REMOVABLE SKIRT

RIBBED POCKET FABRIC

STYLE NUMBER: 92223-05
STYLE DESCRIPTION: VERSATILE SKORT
DESIGNER: STEPHENNIE FACTOR

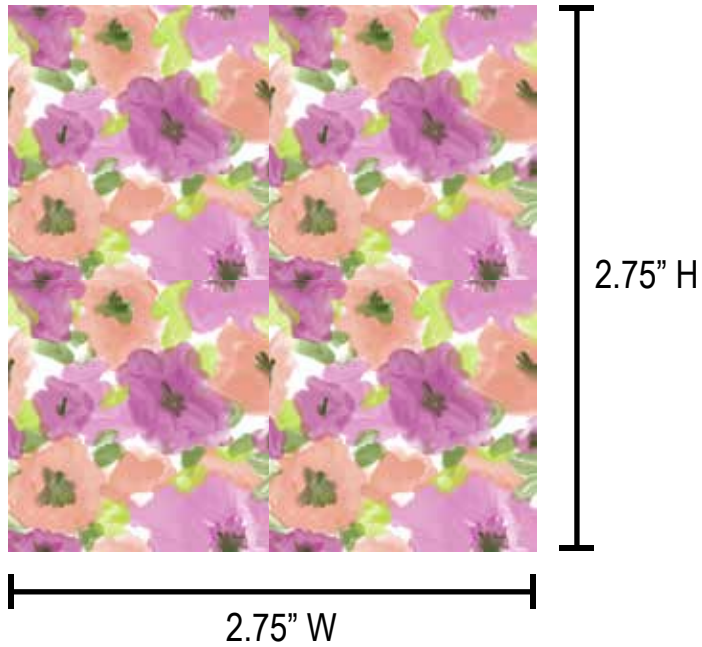
CATEGORY: ACTIVE BOTTOM
SEASON: SPRING 2024
DELIVERY: MARCH WK3



COLOR / PRINT CALLOUTS

TECHNIQUE SUMMARY:

ALL OVER PRINT - SOFT HAND WET PRINT
PLACEMENT: INTERIOR SHORT MAIN BODY, POCKET
REPEAT DIMENSIONS: 2.75"W X 2.75"H
PATTERN SHOWN AT 100%
FINAL SCALE TO BE VERIFIED ON FIT SAMPLE



COLOR CALLOUTS:

PANTONE
PMS 4082 C

PANTONE
PMS 2057 C

PANTONE
PMS 576 C

PANTONE
PMS 584 C

PANTONE
PMS 6023 C

STYLE NUMBER: 92223-05
STYLE DESCRIPTION: VERSATILE SKORT
DESIGNER: STEPHENNIE FACTOR

CATEGORY: ACTIVE BOTTOM
SEASON: SPRING 2024
DELIVERY: MARCH WK3

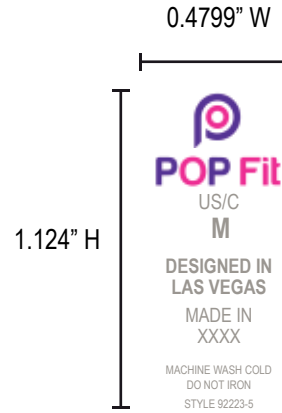
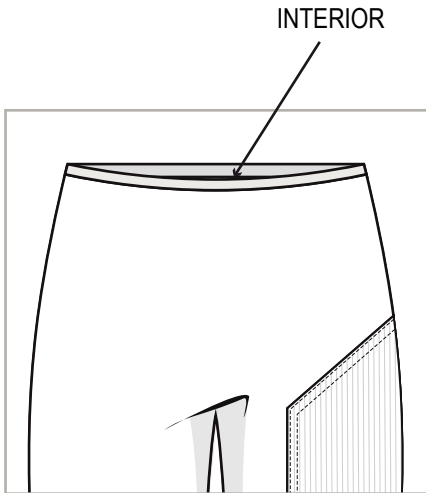


LABEL CALLOUTS

INTERIOR LABEL:

TECHNIQUE SUMMARY:

HEAT SEAL LABEL
PLACEMENT: INTERIOR CENTER BACK
APPROX. DIMENSIONS: 0.4799"W X 1.124"H
PATTERN NOT SHOWN AT 100% (ENLARGED FOR REFERENCE)
FINAL SCALE TO BE VERIFIED ON FIT SAMPLE



PANTONE
PMS 2096 C

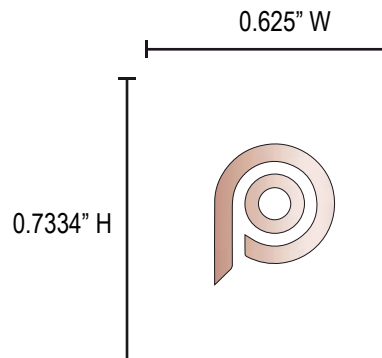
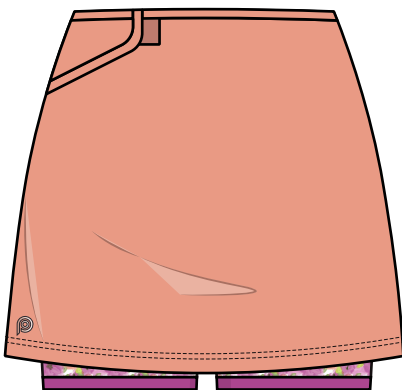
PANTONE
PMS 2450 C

PANTONE
PMS COOL GRAY 6 C

LOGO:

TECHNIQUE SUMMARY:

HEAT SEAL FOIL PRINT
PLACEMENT: SKIRT BOTTOM LEFT HEM
APPROX. DIMENSIONS: 0.625"W X 0.7334"H
PATTERN NOT SHOWN AT 100% (ENLARGED FOR REFERENCE)
FINAL SCALE TO BE VERIFIED ON FIT SAMPLE

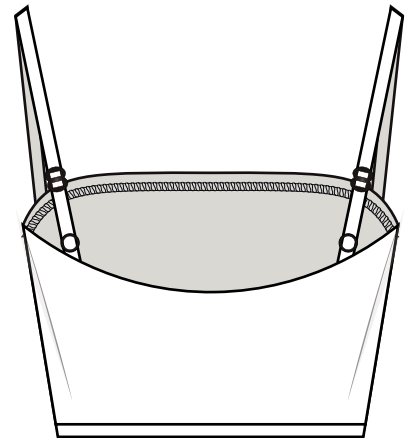
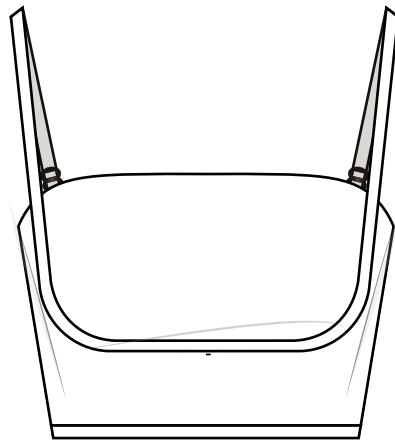
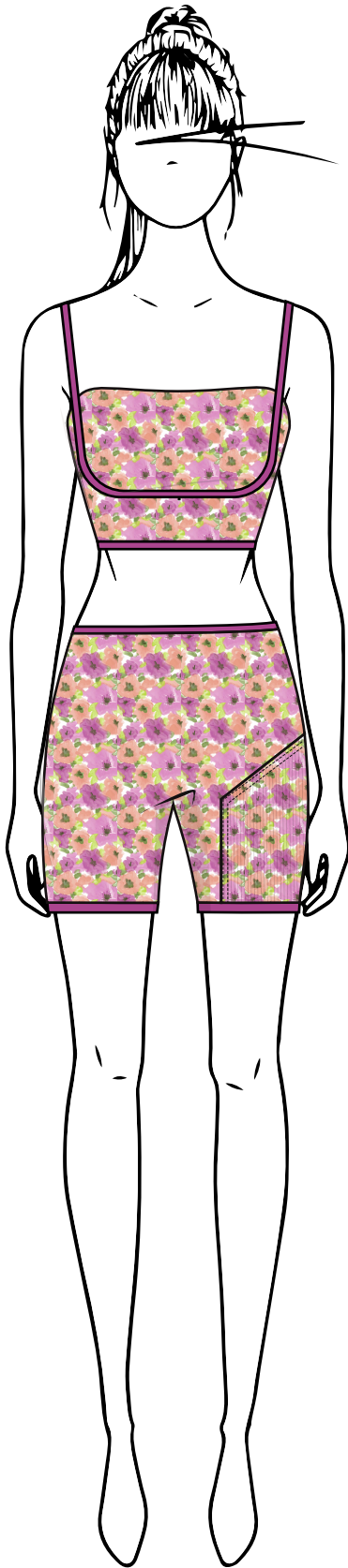


PANTONE
ROSE GOLD

STYLE NUMBER: 92223-06

STYLE DESCRIPTION: LOW IMPACT BALCONETTE SPORTS BRA

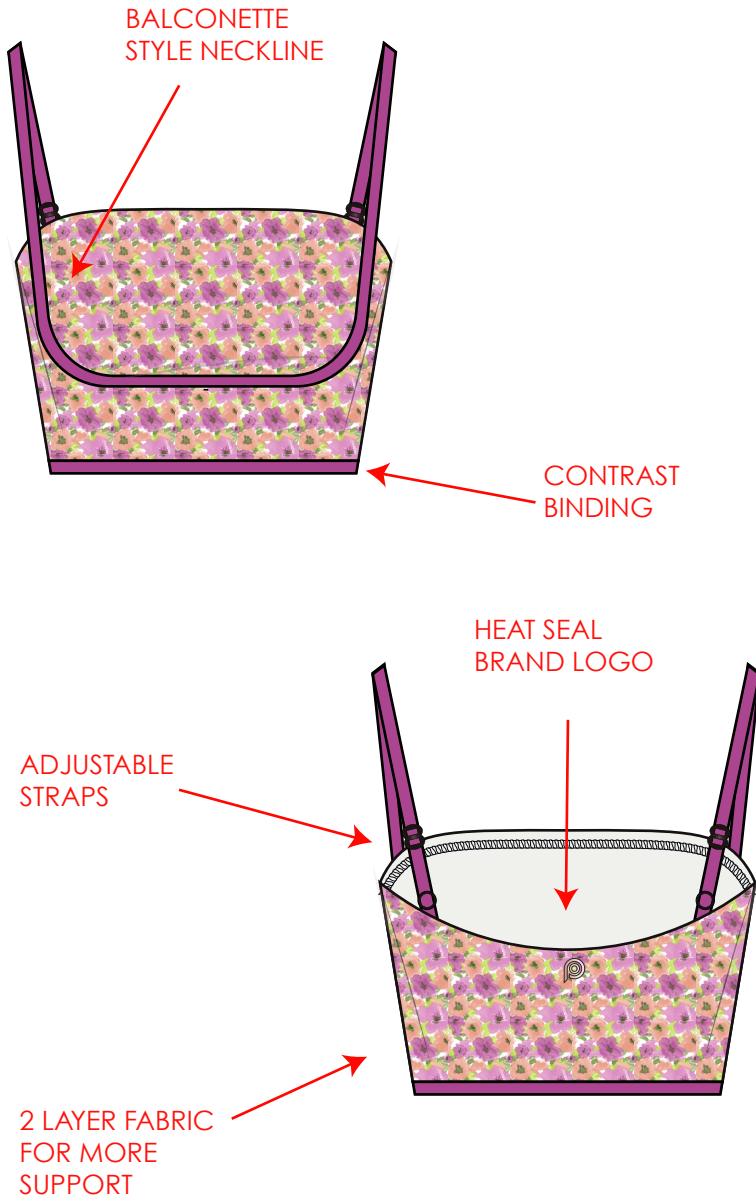
DESIGNER: STEPHENNIE FACTOR



STYLE NUMBER: 92223-06
 STYLE DESCRIPTION: LOW IMPACT BALCONETTE SPORTS BRA
 DESIGNER: STEPHENNIE FACTOR



CONSTRUCTION CALLOUTS



- HIGH IMPACT FRIENDLY
- ADJUSTABLE STRAPS
- 2 LAYER FRONT BODICE
- ALL INTERIOR SEAMS CLEAN FINISHED WITH COVERSEAMS
- CONTRAST BINDING
- REMOVABLE PADS

STYLE SUMMARY:

| | |
|------------------------|---|
| FIT INTENT: | FITTED CROPPED LENGTH |
| DETAILS: | MILKMAID BALCONETTE STYLE ADJUSTABLE STRAPS 2 LAYER IN FRONT BRALETTE CONTRAST BINDING |
| FABRIC: | CONTENDER LUX/INTERLOCK (85% POLYESTER, 15% SPANDEX) |
| PLACEMENT: | ALL OVER PRINT MAIN BODY (FRONT AND BACK) |
| SIZING: | ALPHA (XXS-5XL) |
| PACKAGE TYPE: | STANDARD BRANDED LOGO |
| SHIPPING INSTRUCTIONS: | RECYCLABLE POLYBAG |
| MSRP: | \$54.50 |

REFERENCE IMAGE(S):



STYLE NUMBER: 92223-06
STYLE DESCRIPTION: LOW IMPACT BALCONETTE SPORTS BRA
DESIGNER: STEPHENNIE FACTOR

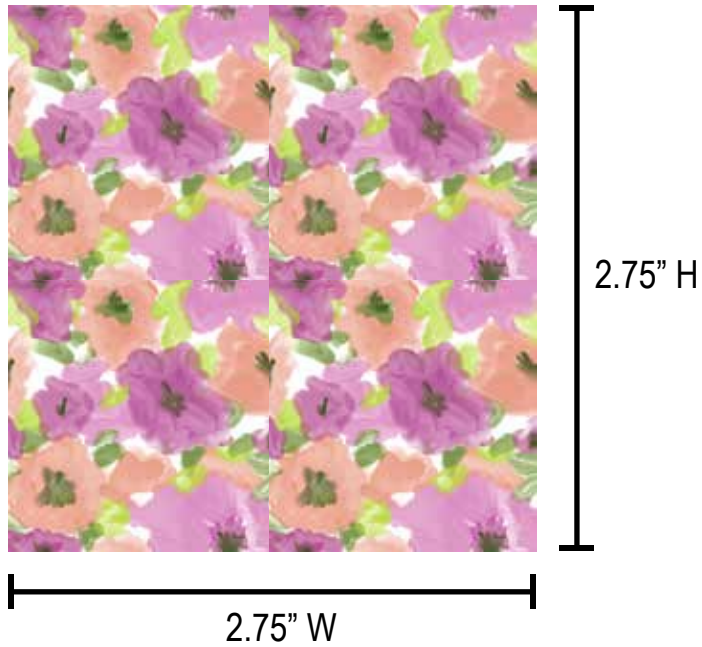
CATEGORY: ACTIVE TOP
SEASON: SPRING 2024
DELIVERY: MARCH WK3



COLOR / PRINT CALLOUTS

TECHNIQUE SUMMARY:

ALL OVER PRINT - SOFT HAND WET PRINT
PLACEMENT: MAIN BODY (FRONT AND BACK)
REPEAT DIMENSIONS: 2.75"W X 2.75"H
PATTERN SHOWN AT 100%
FINAL SCALE TO BE VERIFIED ON FIT SAMPLE



COLOR CALLOUTS:

PANTONE
PMS 4082 C

PANTONE
PMS 2057 C

PANTONE
PMS 576 C

PANTONE
PMS 584 C

PANTONE
PMS 6023 C

STYLE NUMBER: 92223-06
STYLE DESCRIPTION: LOW IMPACT BALCONETTE SPORTS BRA
DESIGNER: STEPHENNIE FACTOR

CATEGORY: ACTIVE TOP
SEASON: SPRING 2024
DELIVERY: MARCH WK3

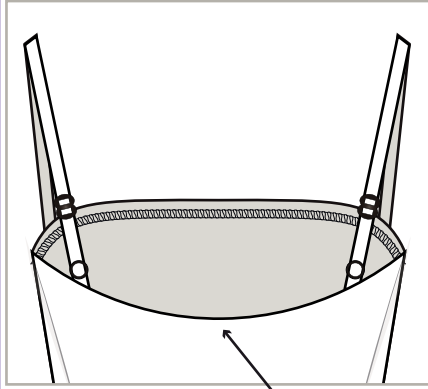


LABEL CALLOUTS

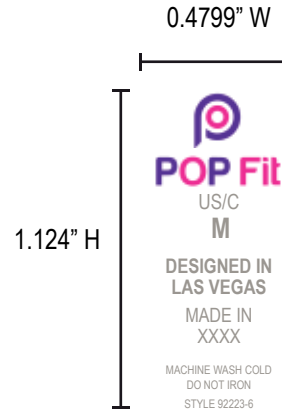
INTERIOR LABEL:

TECHNIQUE SUMMARY:

HEAT SEAL LABEL
PLACEMENT: INTERIOR CENTER BACK
APPROX. DIMENSIONS: 0.4799"W X 1.124"H
PATTERN NOT SHOWN AT 100% (ENLARGED FOR REFERENCE)
FINAL SCALE TO BE VERIFIED ON FIT SAMPLE



INTERIOR



PANTONE
PMS 2096 C

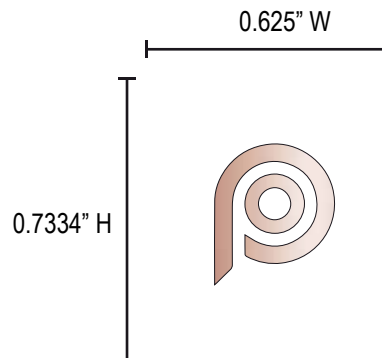
PANTONE
PMS 2450 C

PANTONE
PMS COOL GRAY 6 C

LOGO:

TECHNIQUE SUMMARY:

HEAT SEAL FOIL PRINT
PLACEMENT: CENTER BACK NECK
APPROX. DIMENSIONS: 0.625"W X 0.7334"H
PATTERN NOT SHOWN AT 100% (ENLARGED FOR REFERENCE)
FINAL SCALE TO BE VERIFIED ON FIT SAMPLE



PANTONE
ROSE GOLD